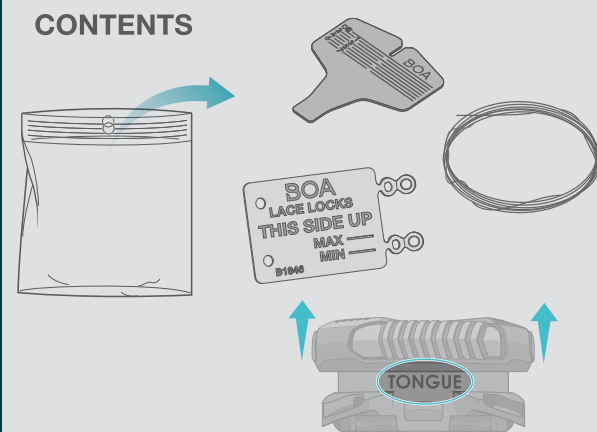


L+1

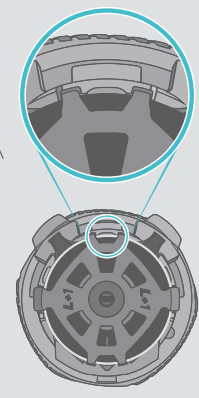
EYESTAY + CS3

BOA

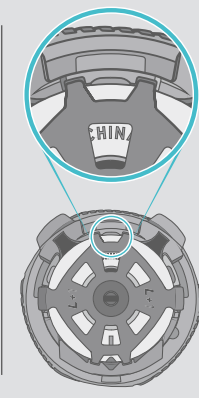
CONTENTS



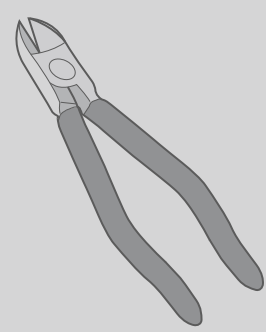
L



R

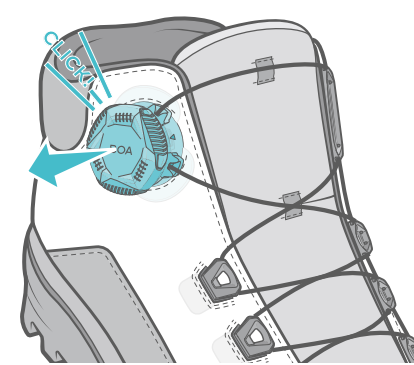


TOOLS NEEDED

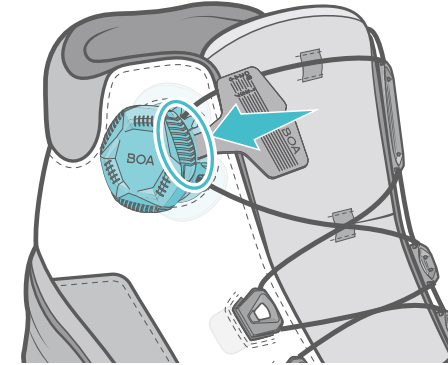


1000861

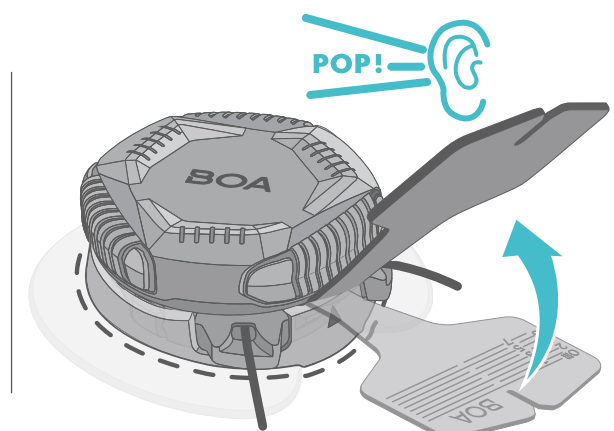
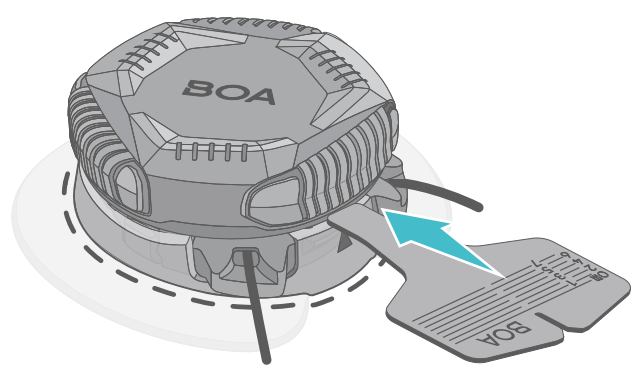
1



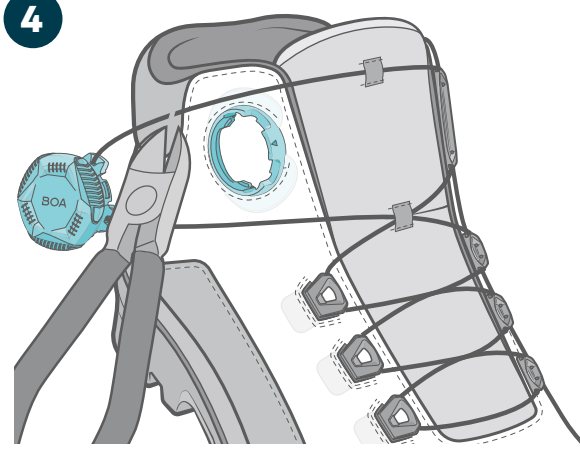
2



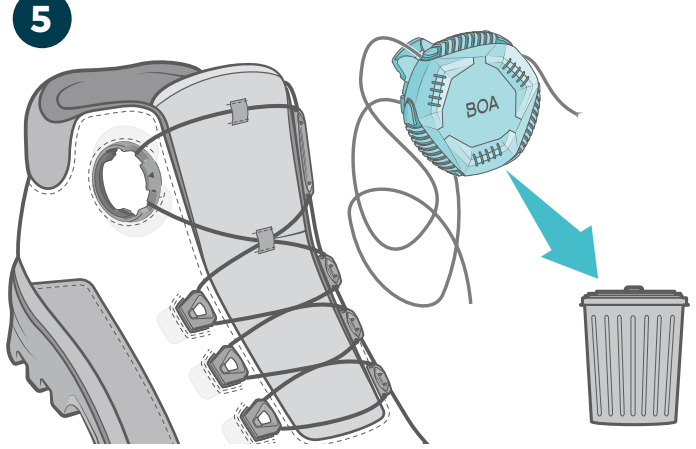
3



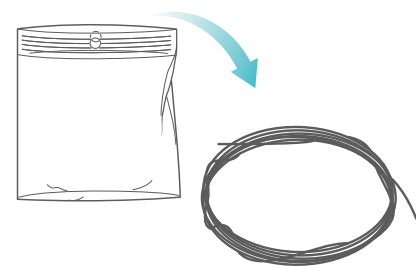
4



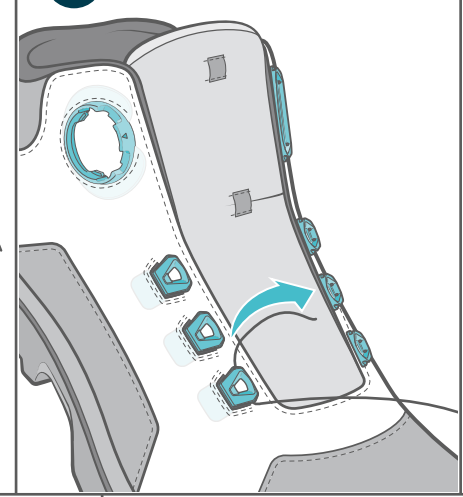
5



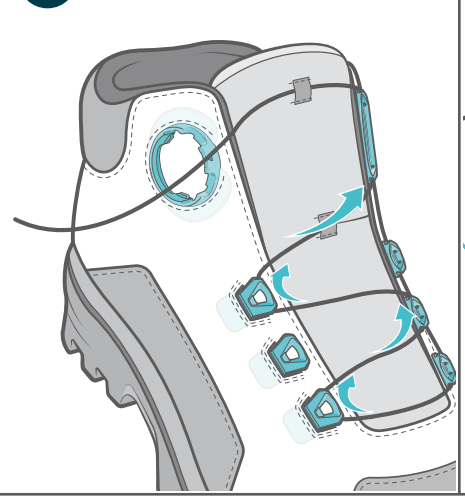
6



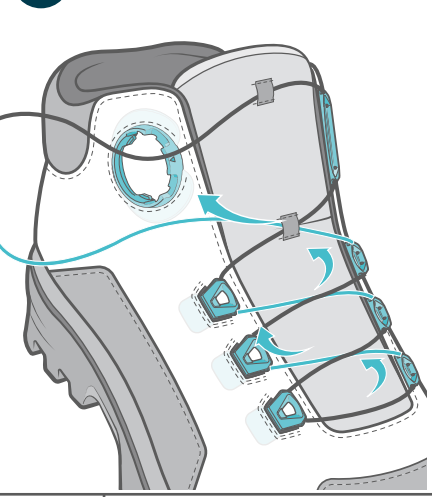
7



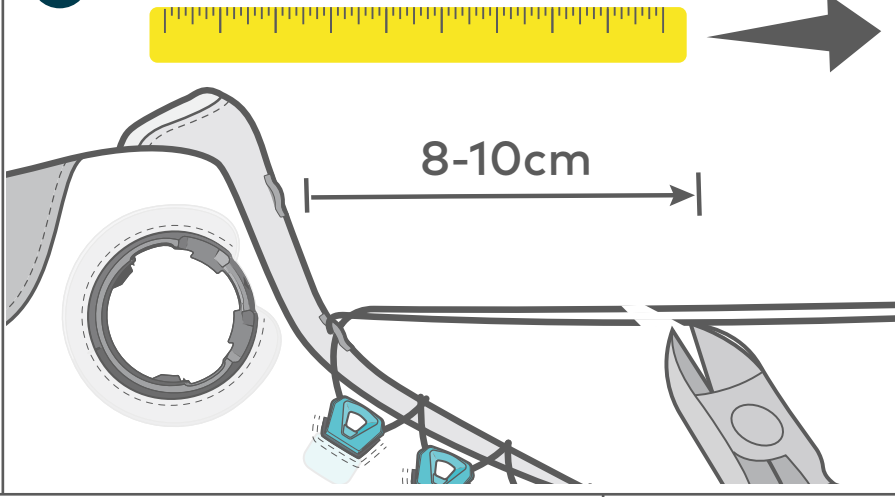
8



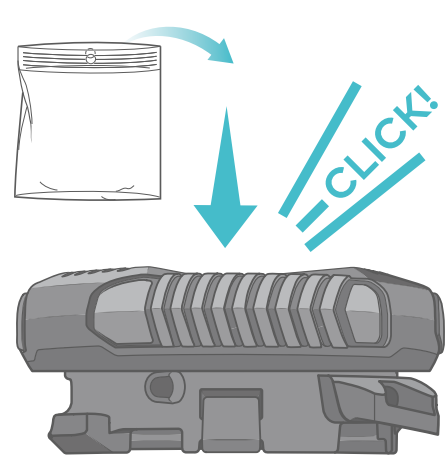
9



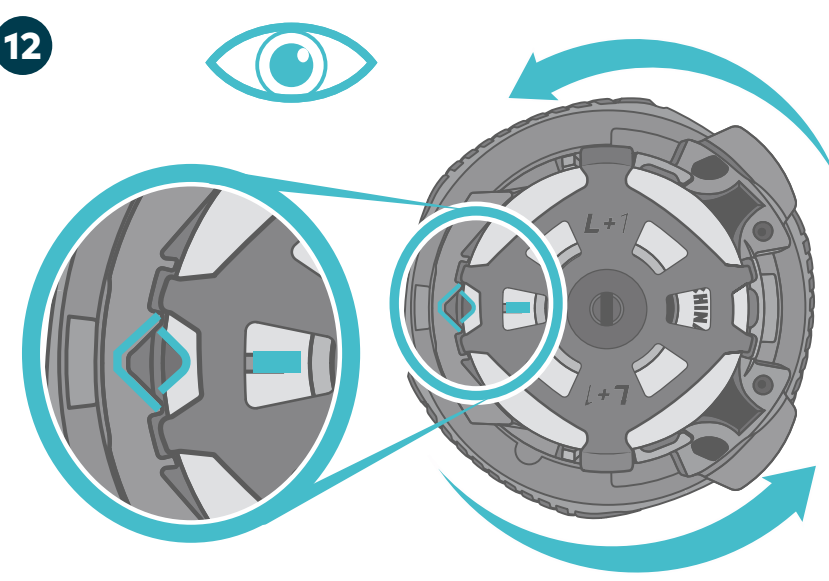
10



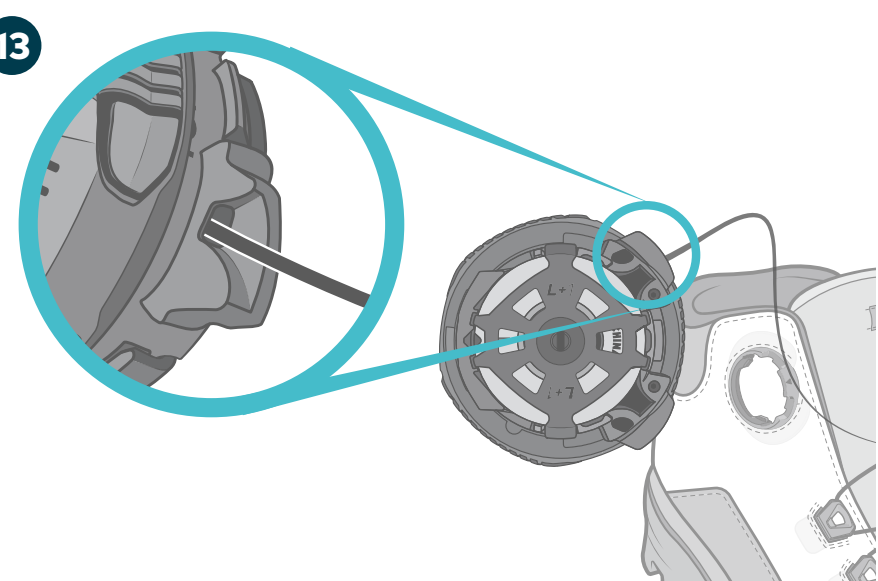
11



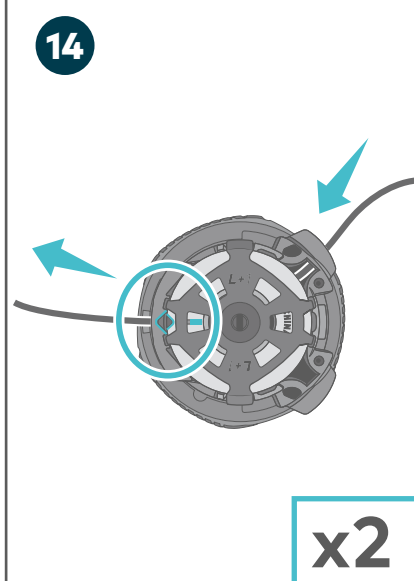
12



13

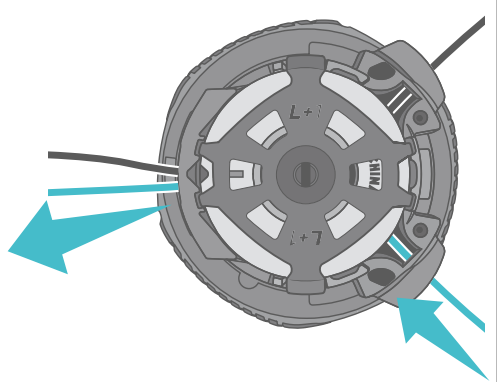


14

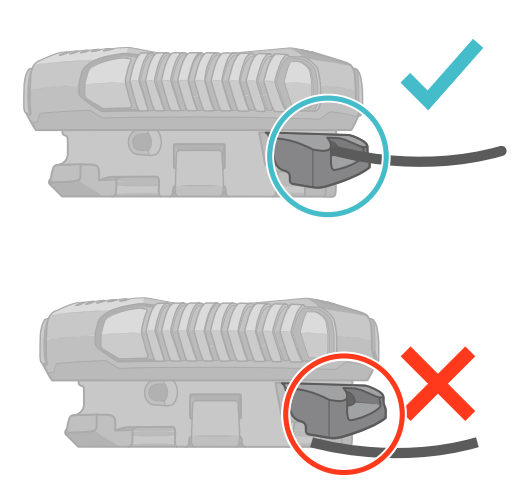
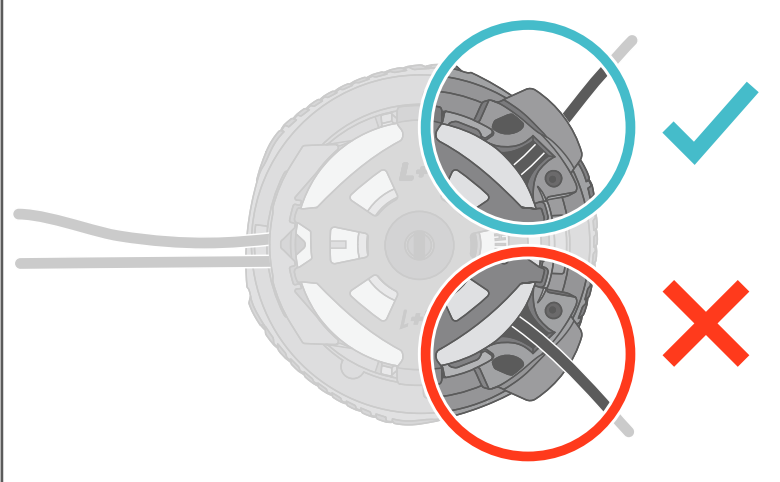


x2

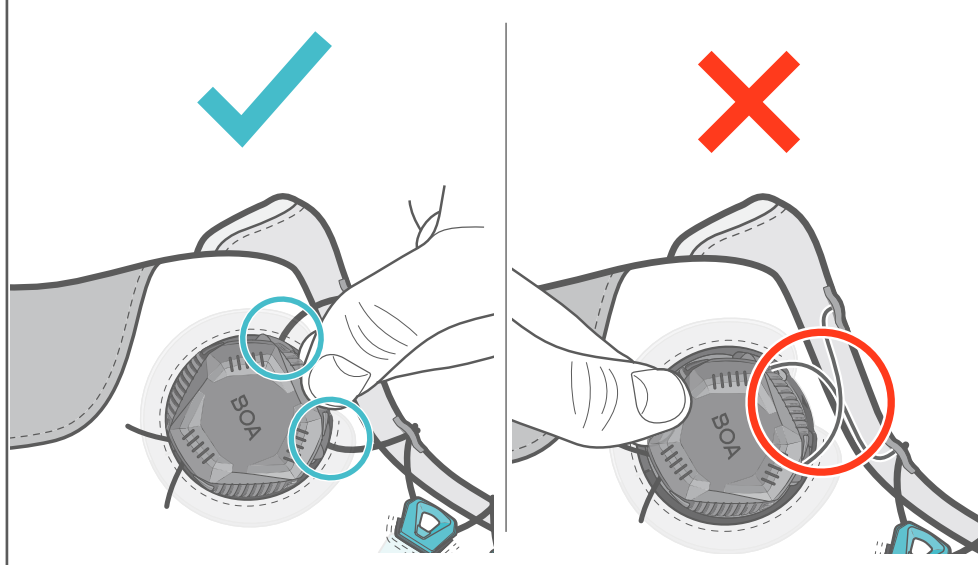
15



16



17



RULER CM

