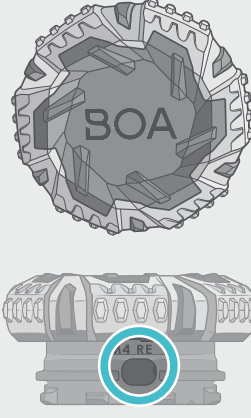
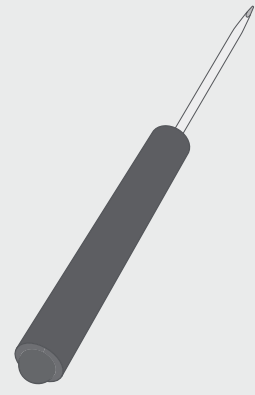
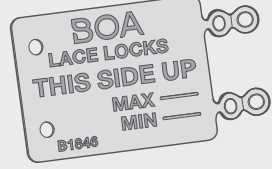
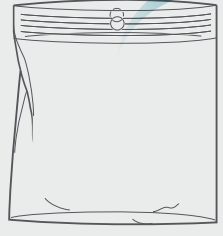


M4

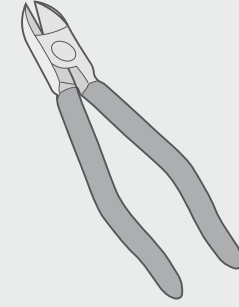
REMOTE + CS3 PULL-ON

BOA

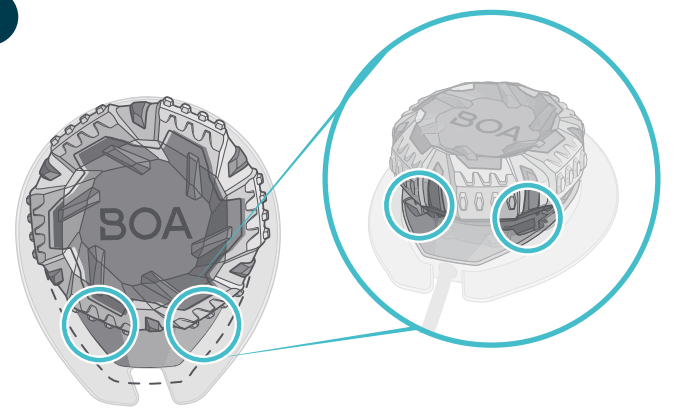
CONTENTS



TOOLS
NEEDED

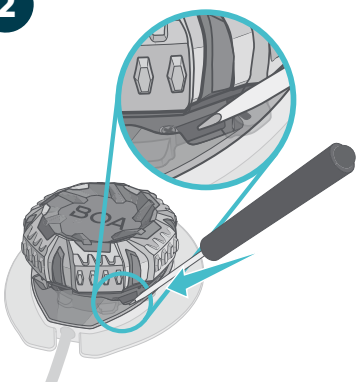


1

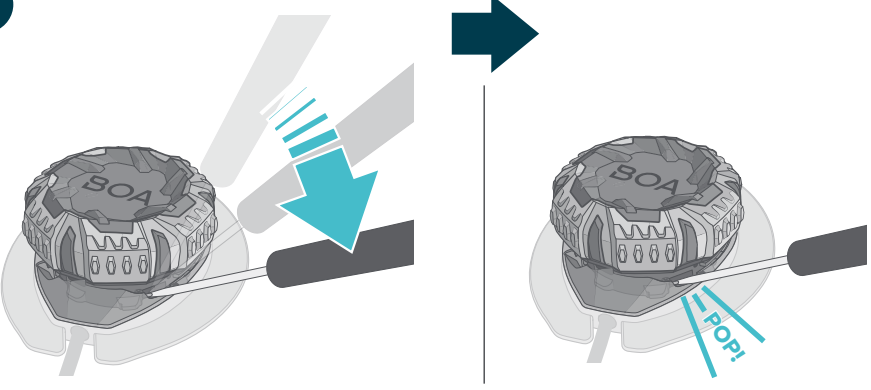


1000929

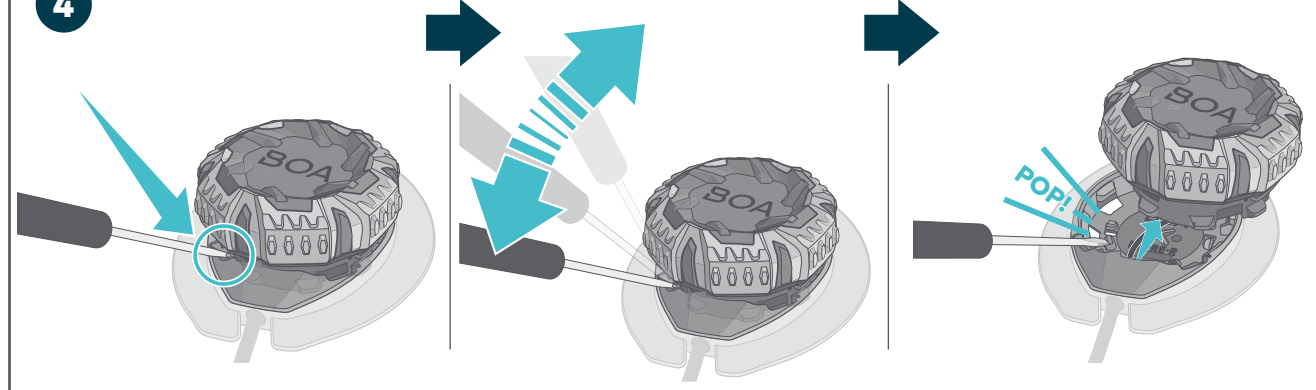
2



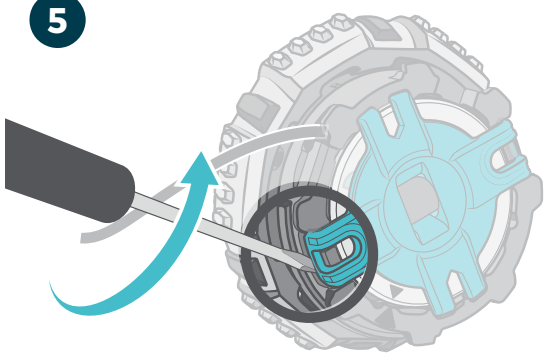
3



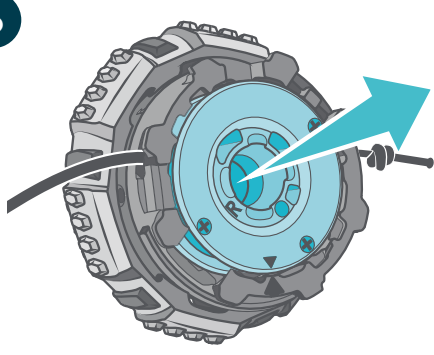
4



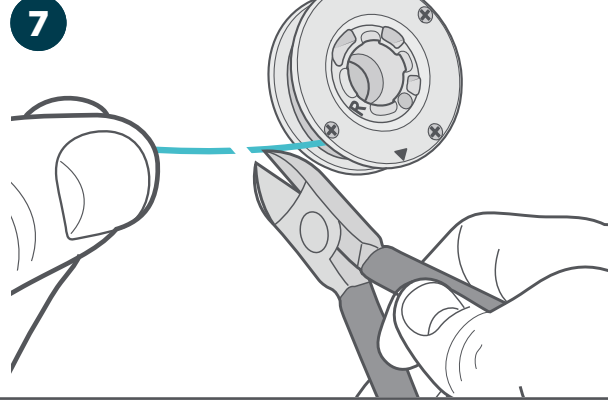
5



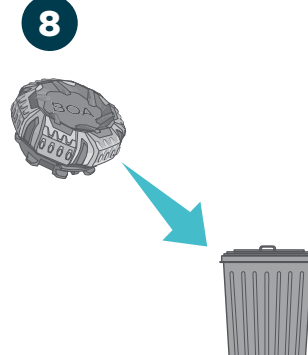
6



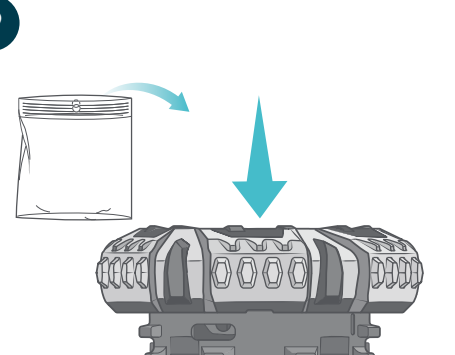
7



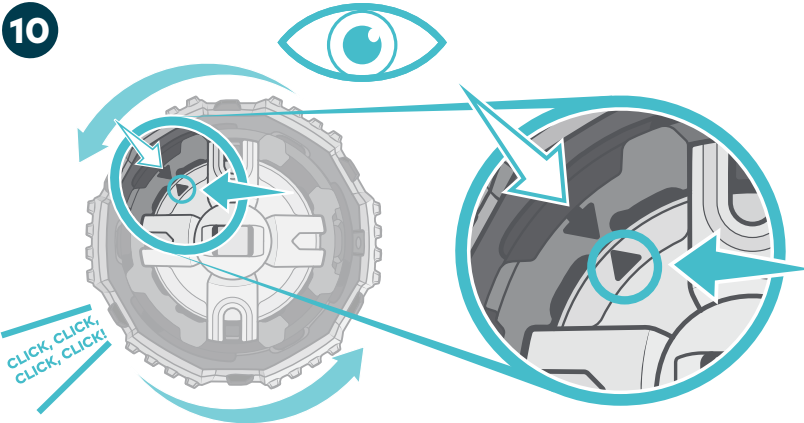
8



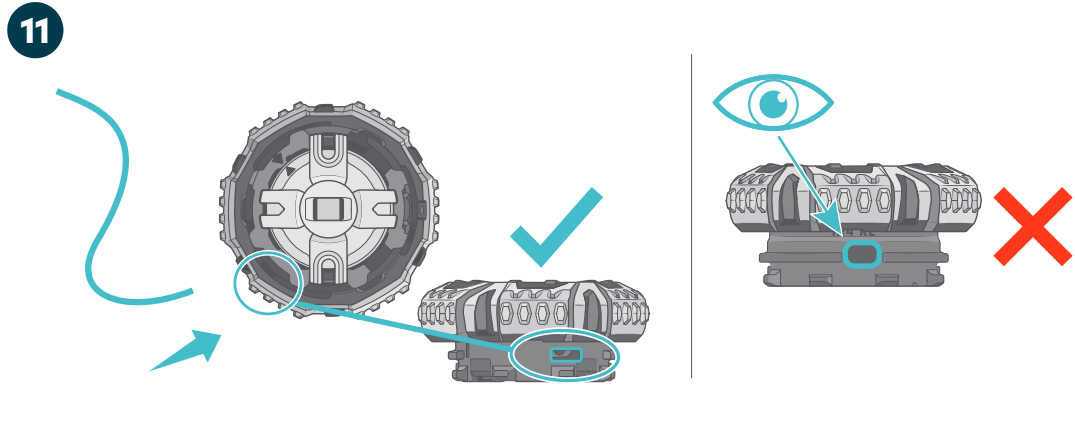
9



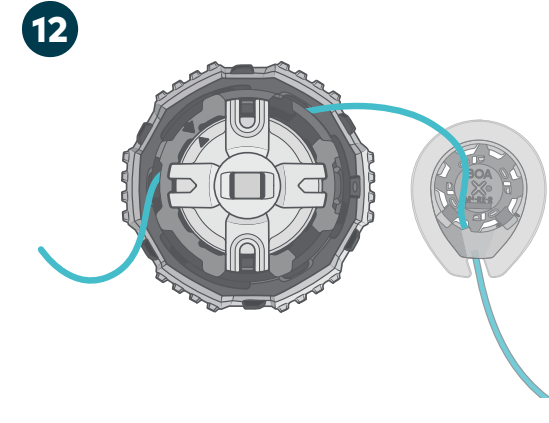
10



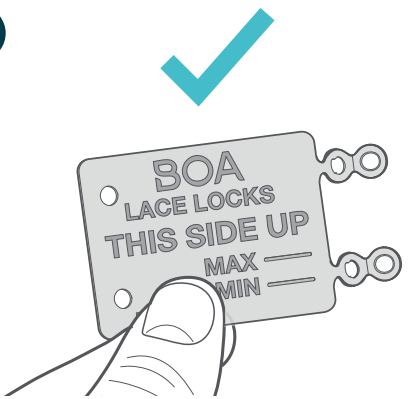
11



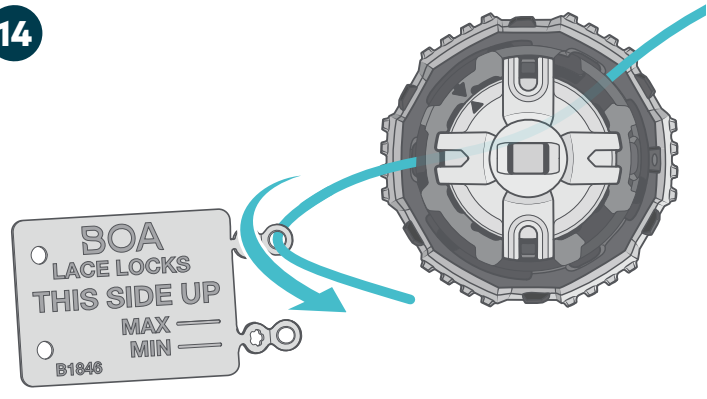
12



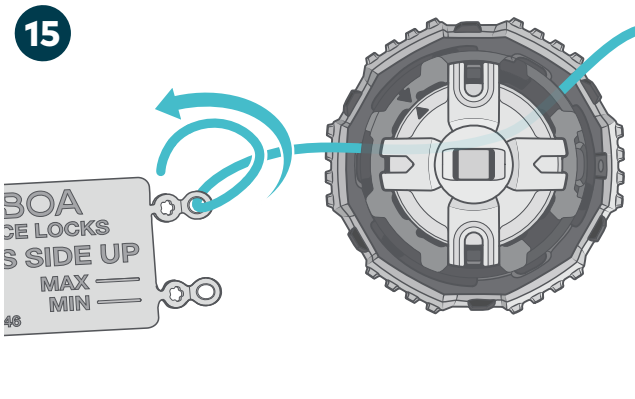
13



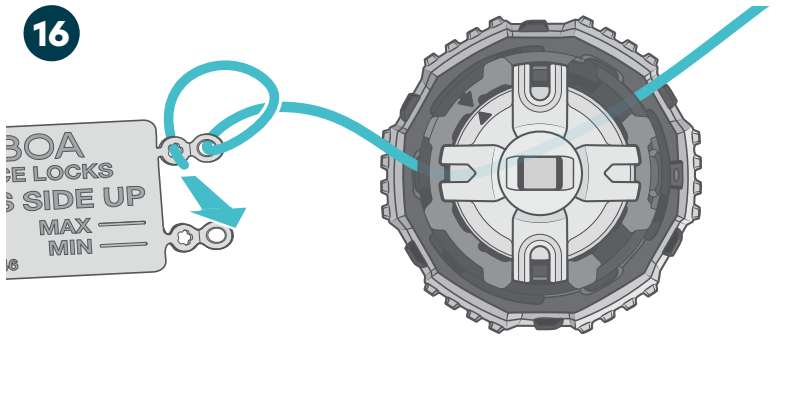
14



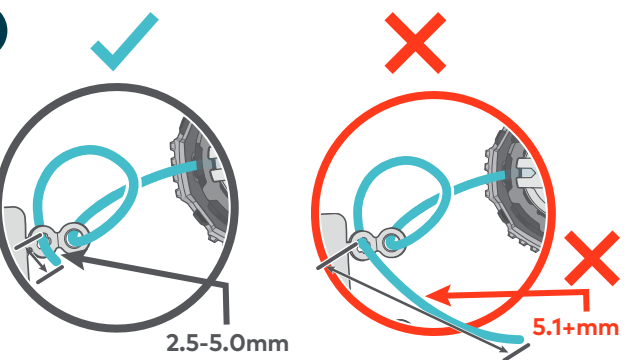
15



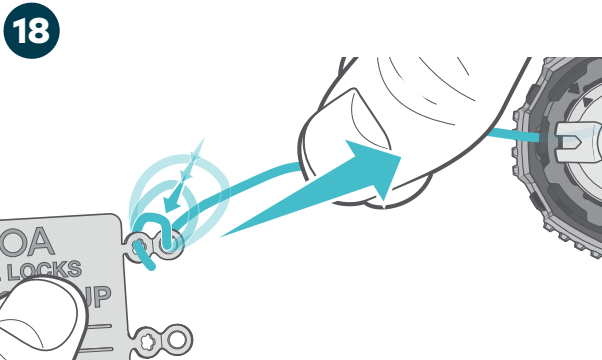
16



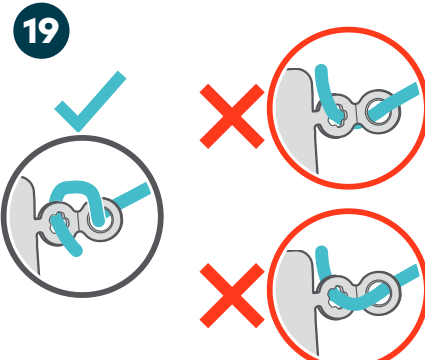
17



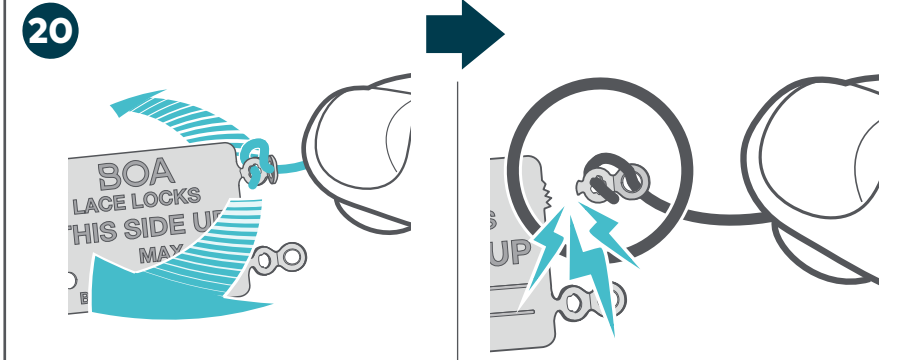
18



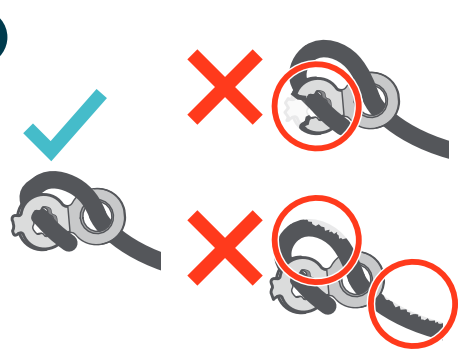
19



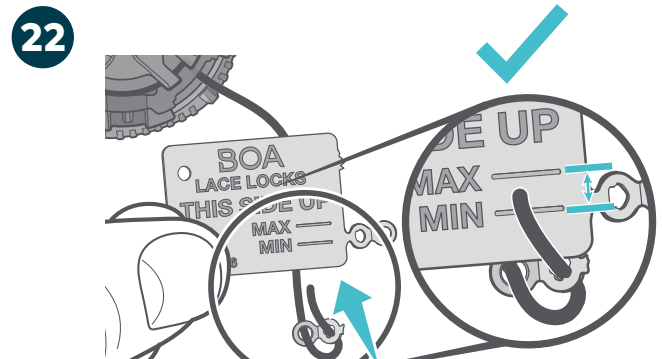
20



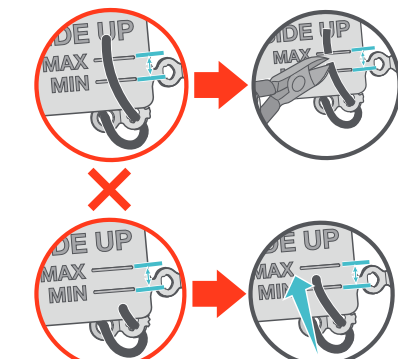
21



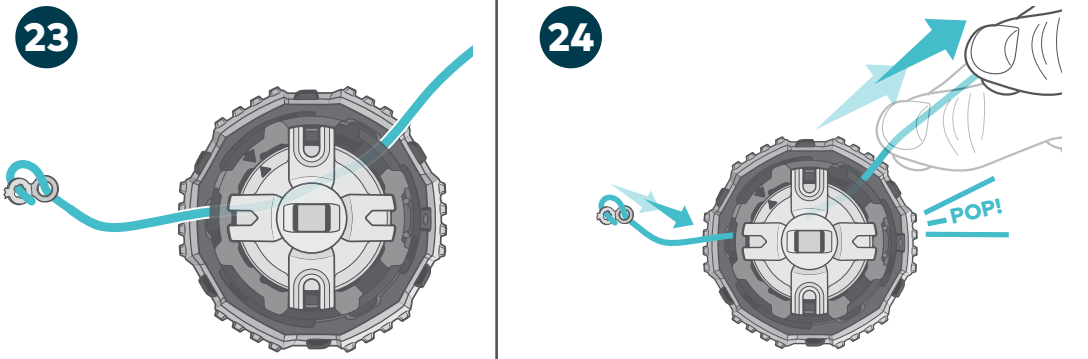
22



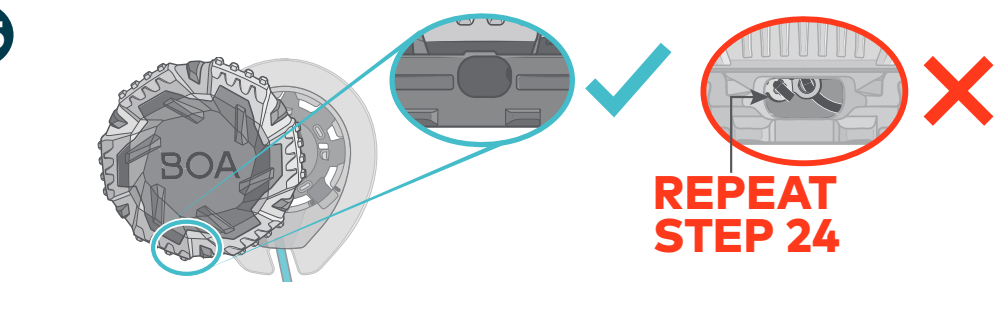
23



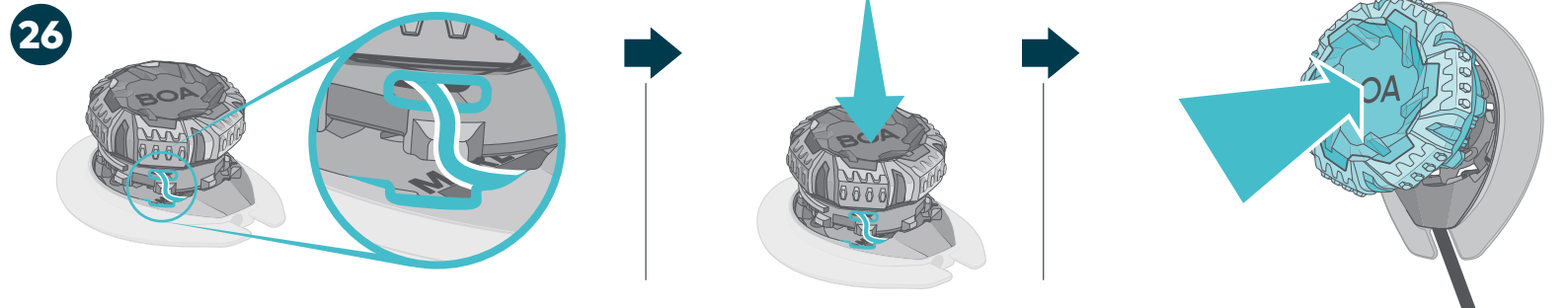
24



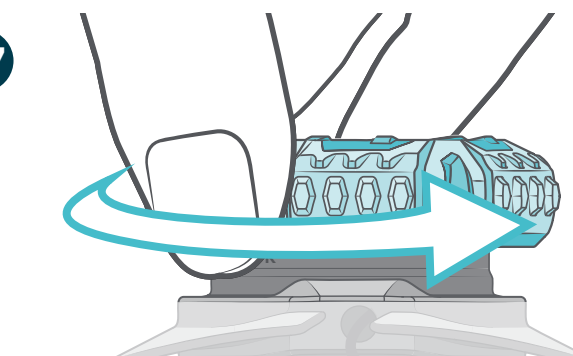
25



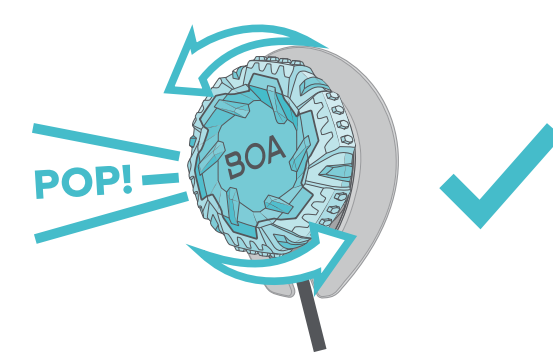
26



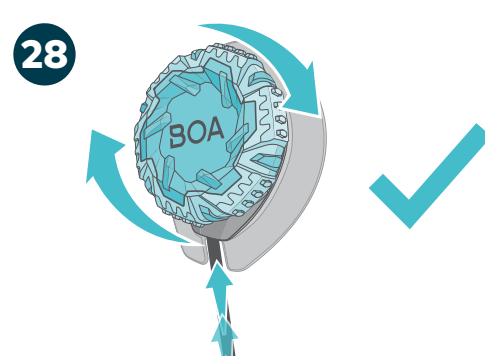
27



28



28

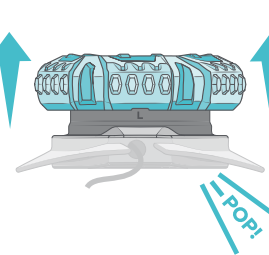


STOP

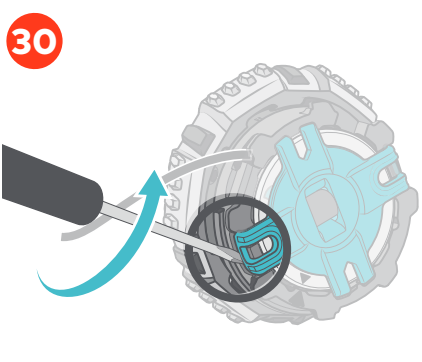
GO TO STEP 30
IF INCORRECT

29

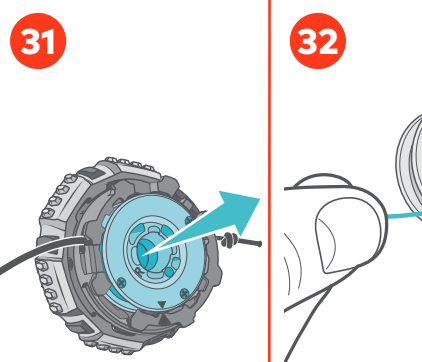
COMPLETE
STEPS 1-5



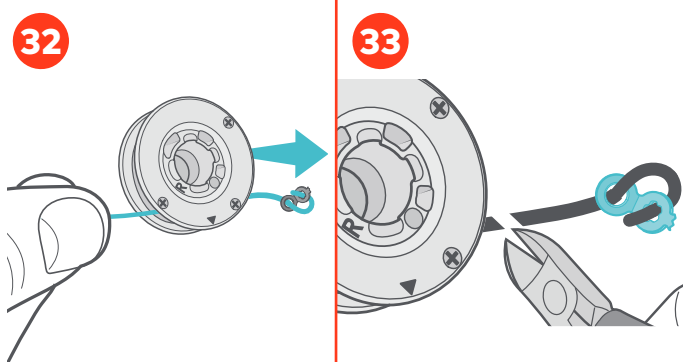
30



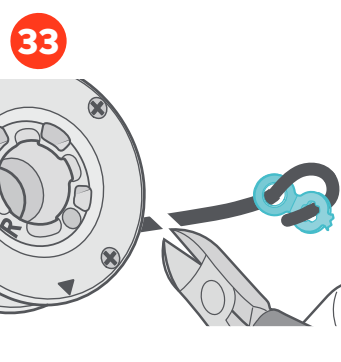
31



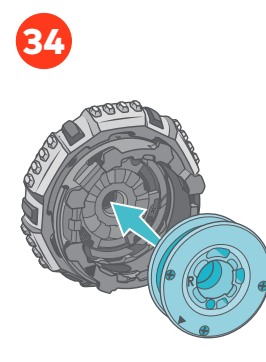
32



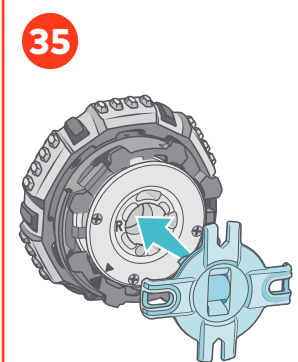
33



34



35



36

