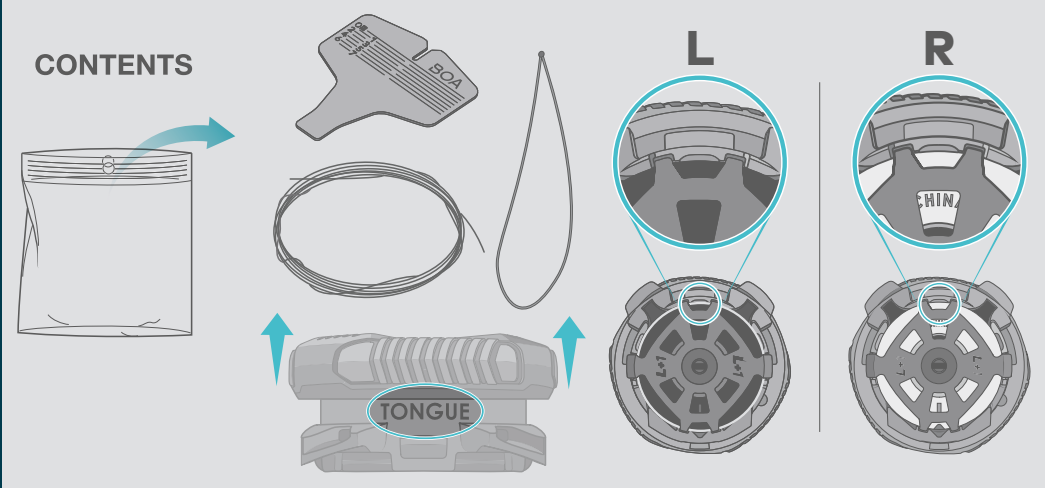


L+1

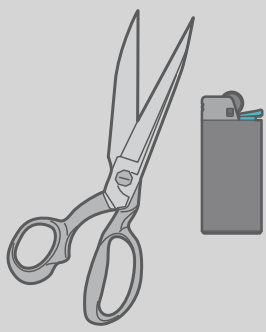
EYESTAY + TX5

BOA

CONTENTS

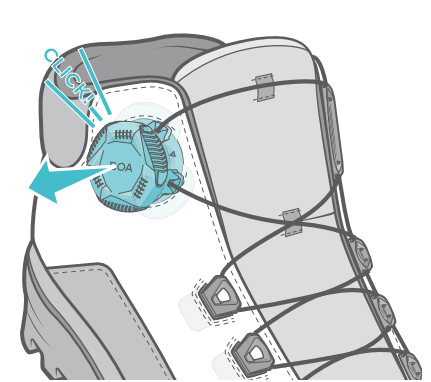


TOOLS NEEDED

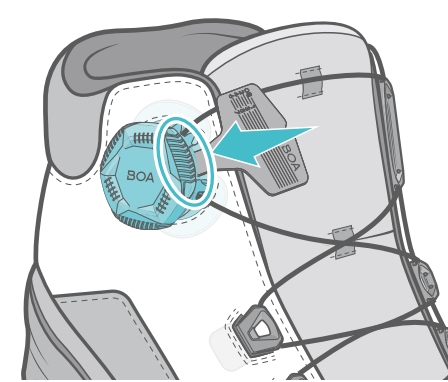


1000863

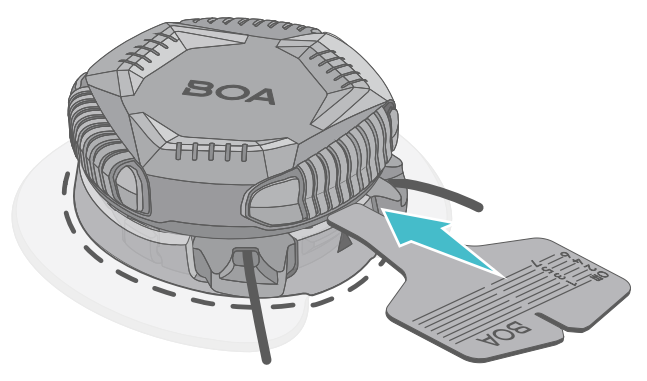
1



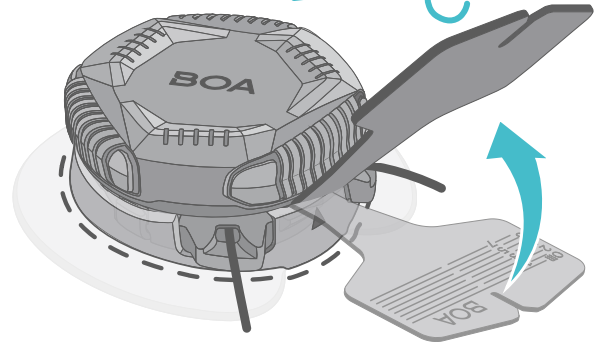
2



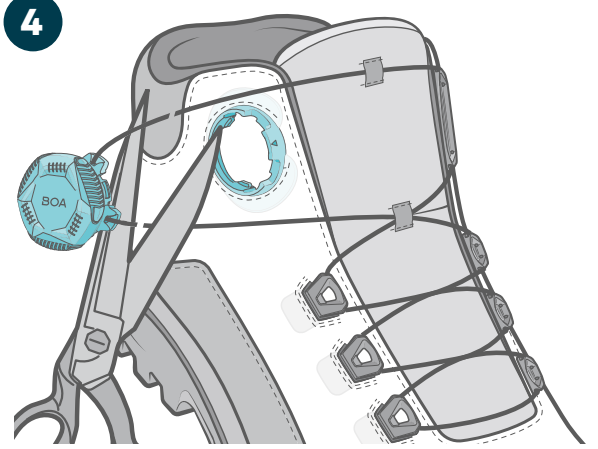
3



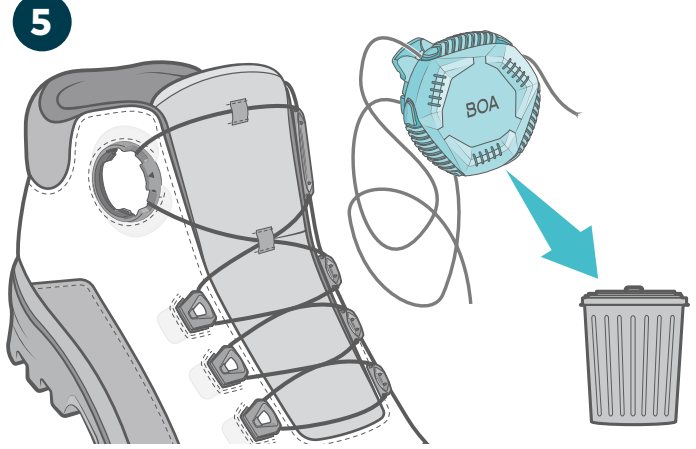
POP!



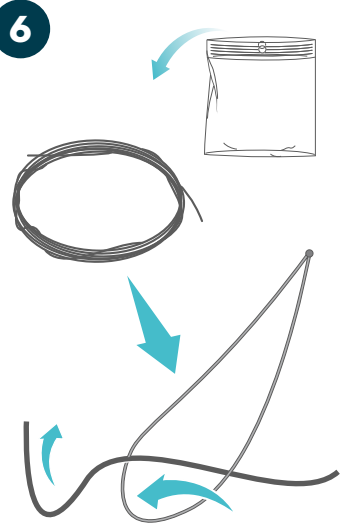
4



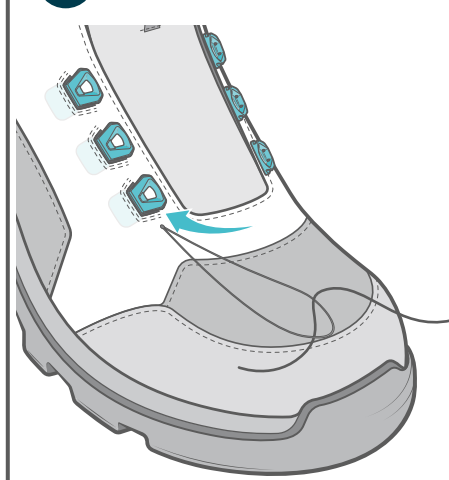
5



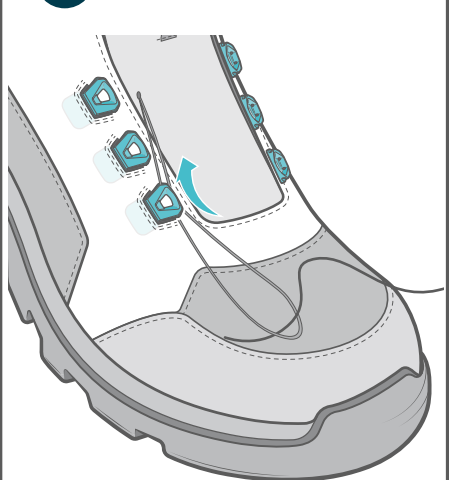
6



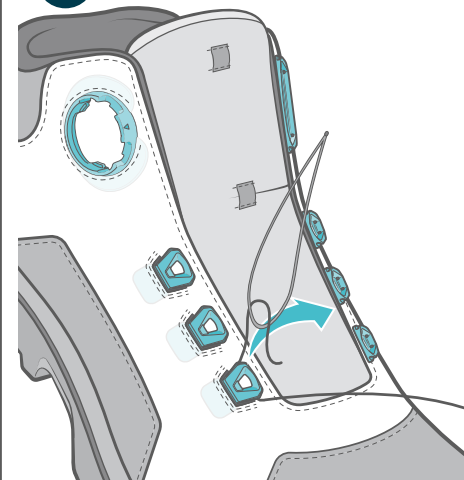
7



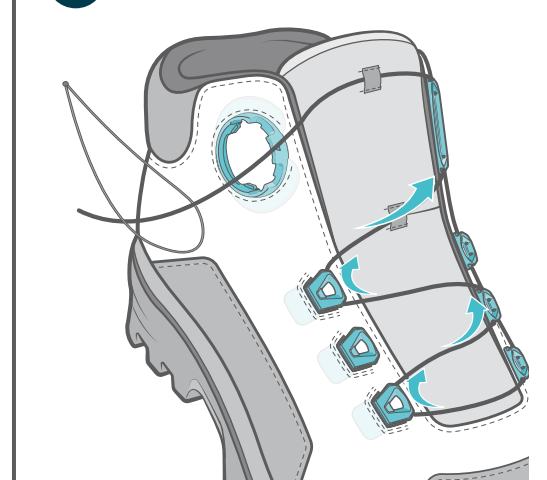
8



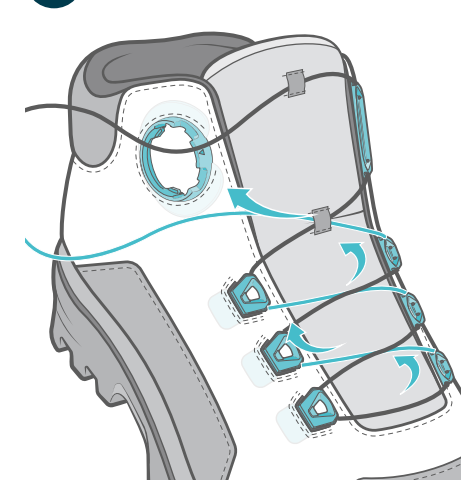
9



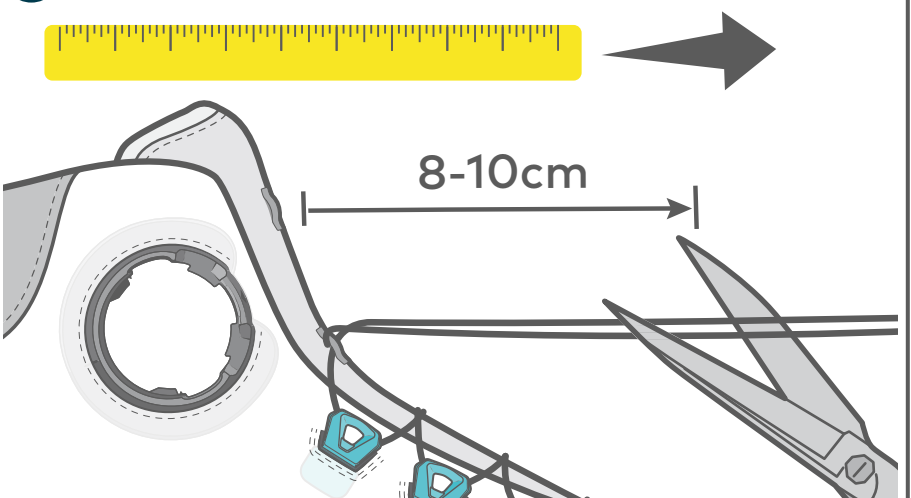
10



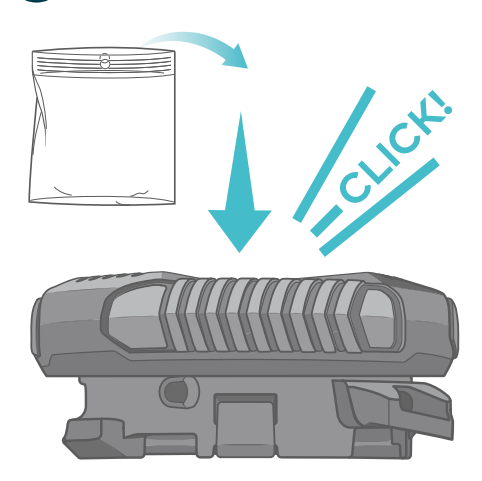
11



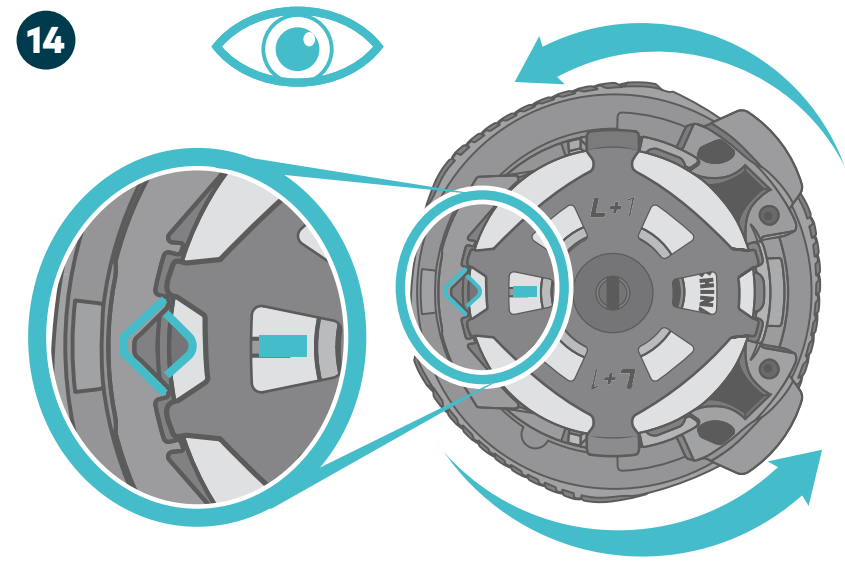
12



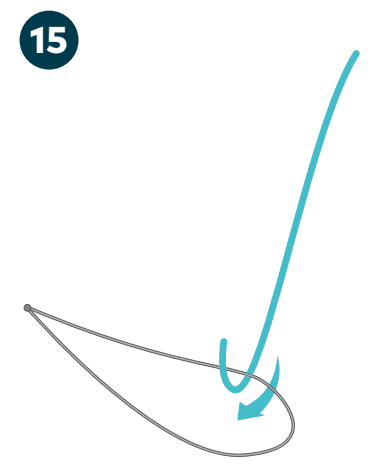
13



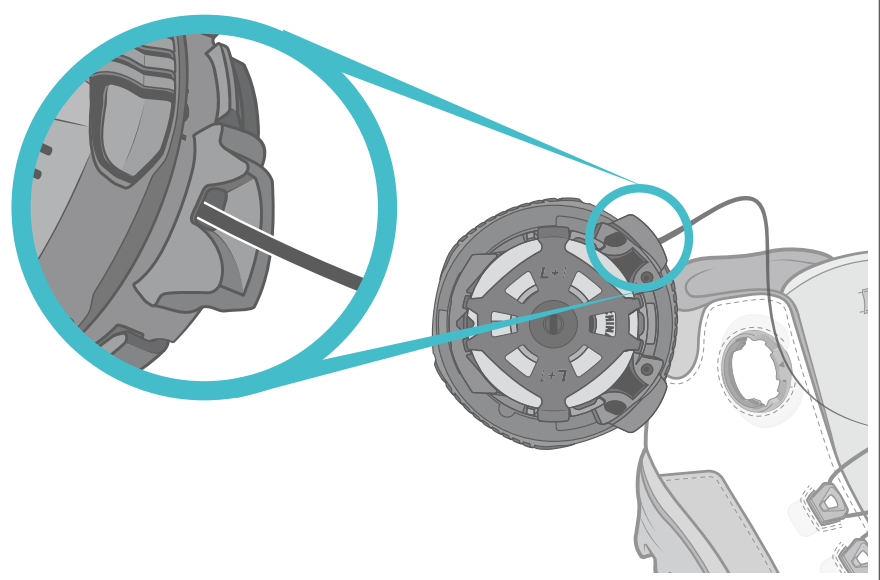
14



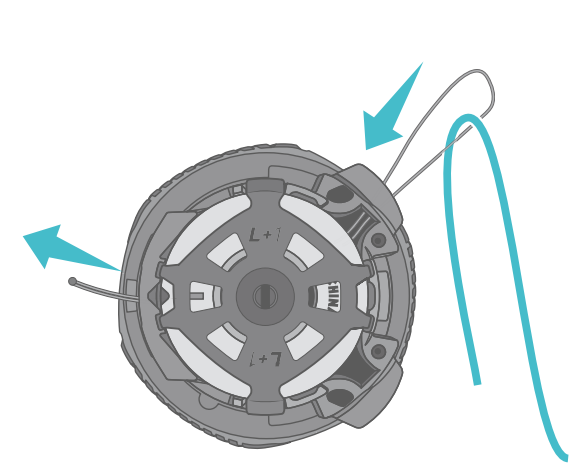
15



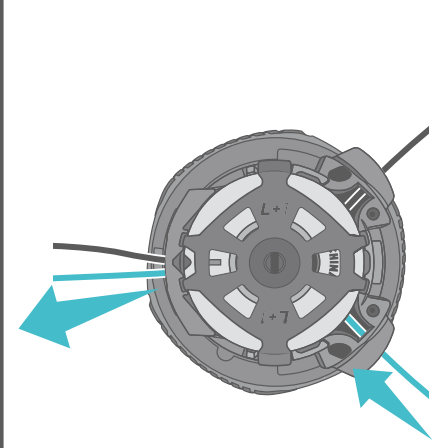
16



17

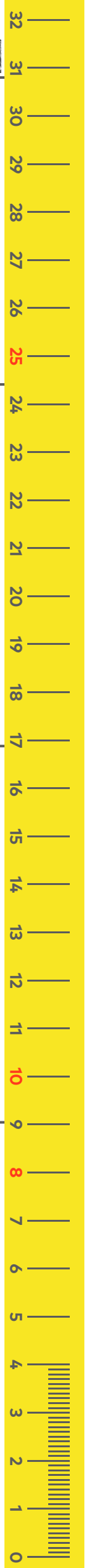


18

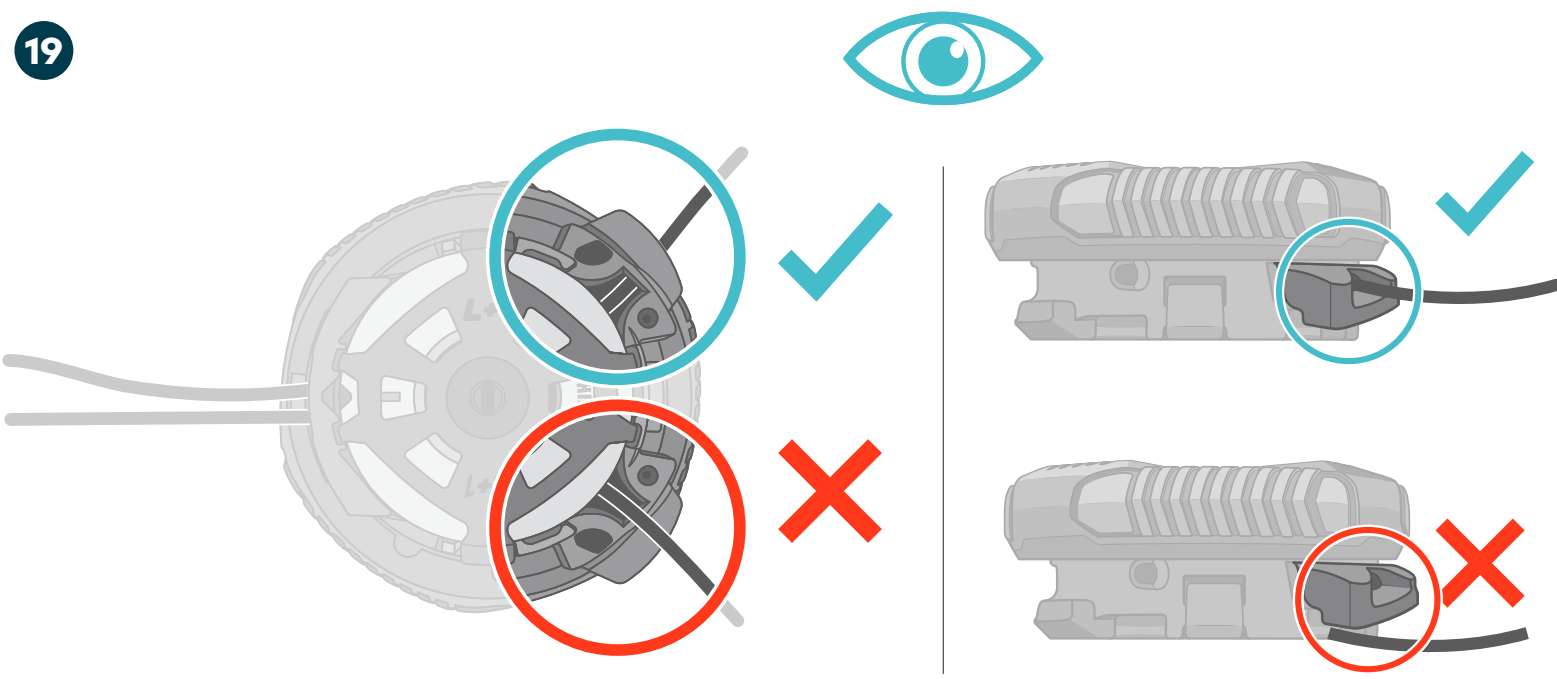


x2

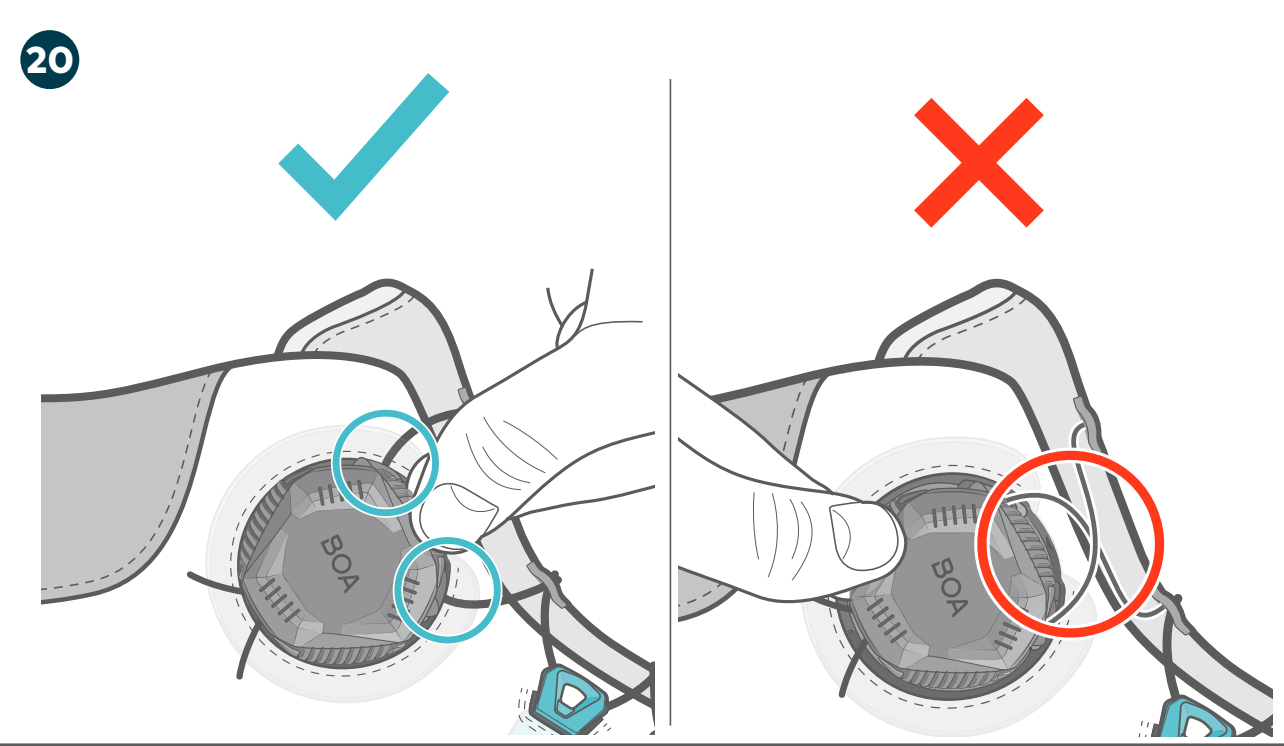
RULER CM



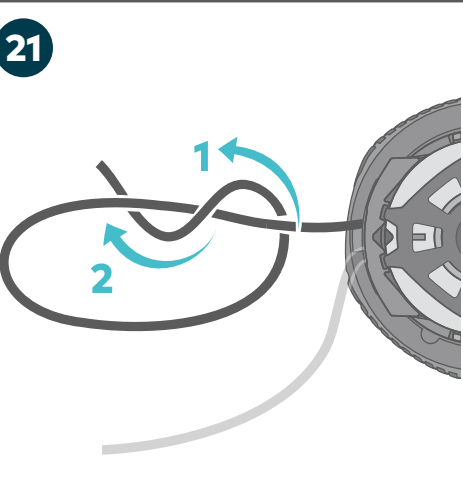
19



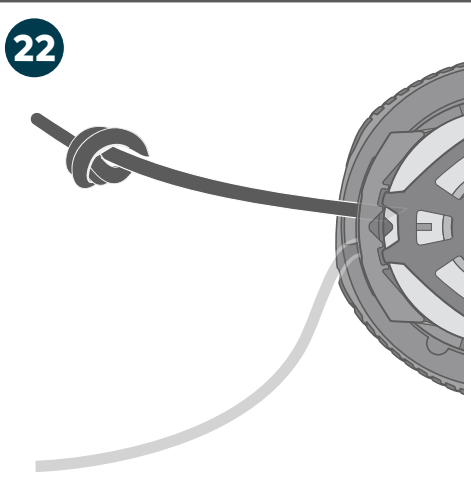
20



21



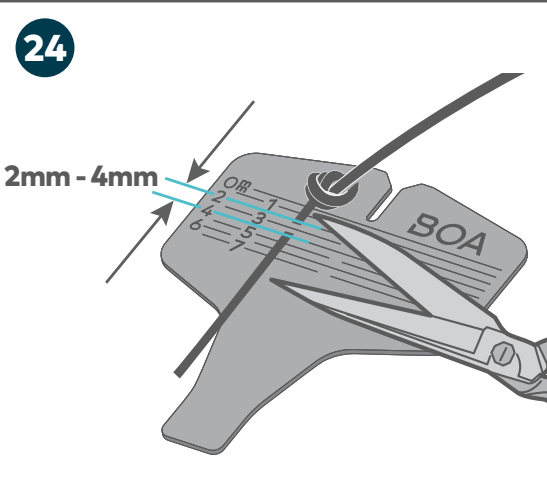
22



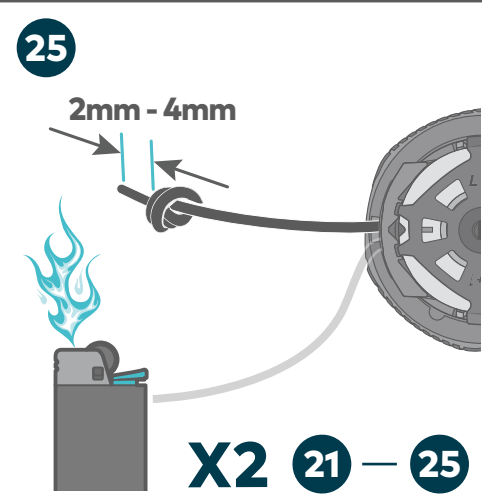
23



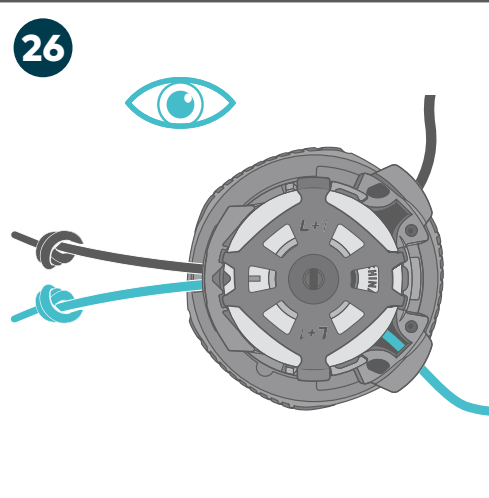
24



25

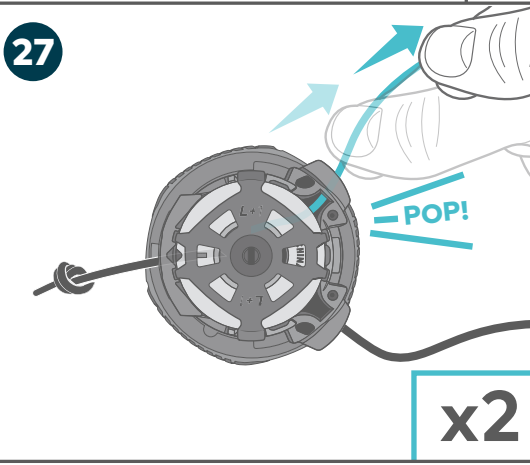


26

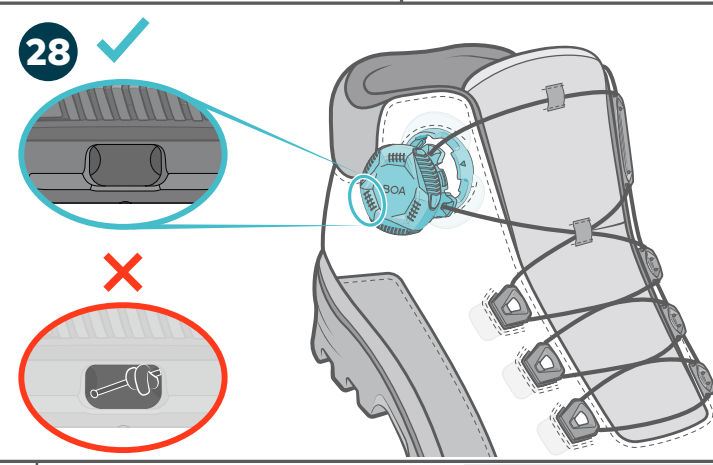


X2 21 - 25

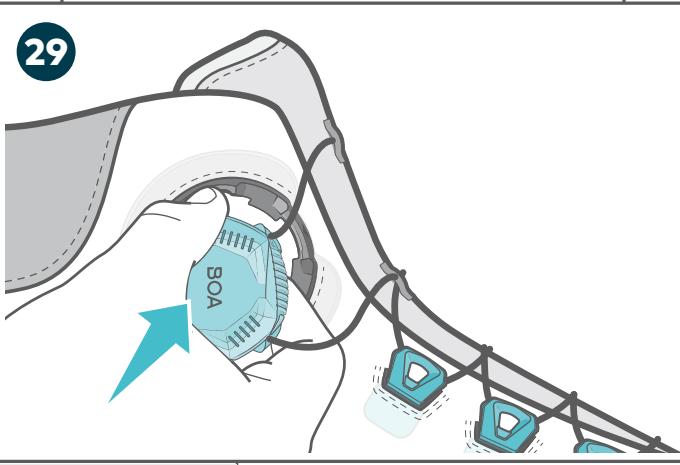
27



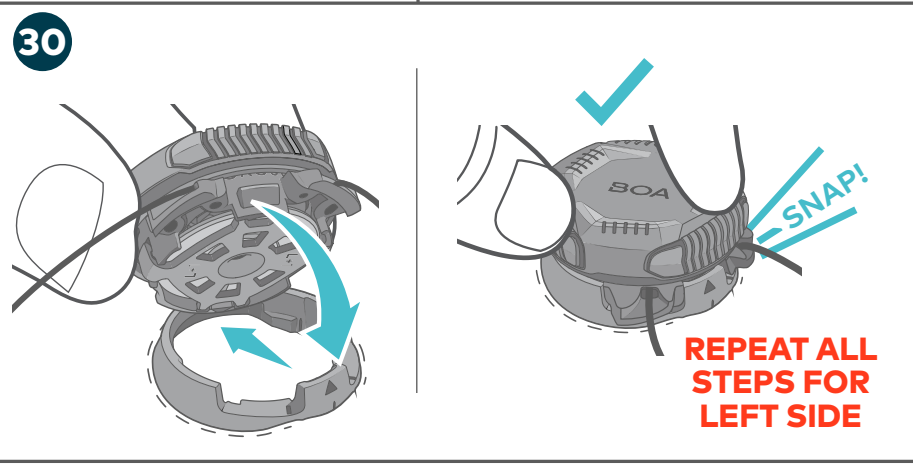
28



29

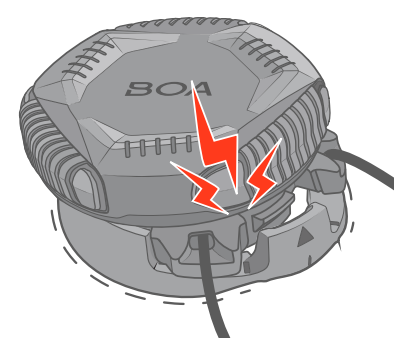


30

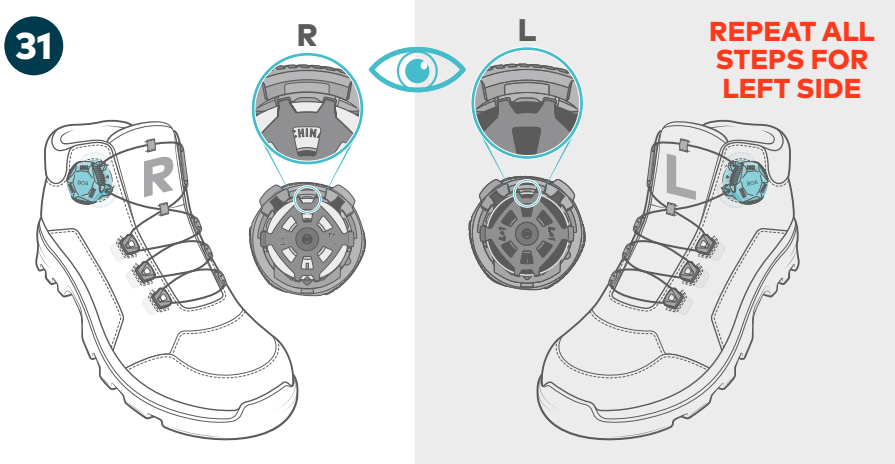


x2

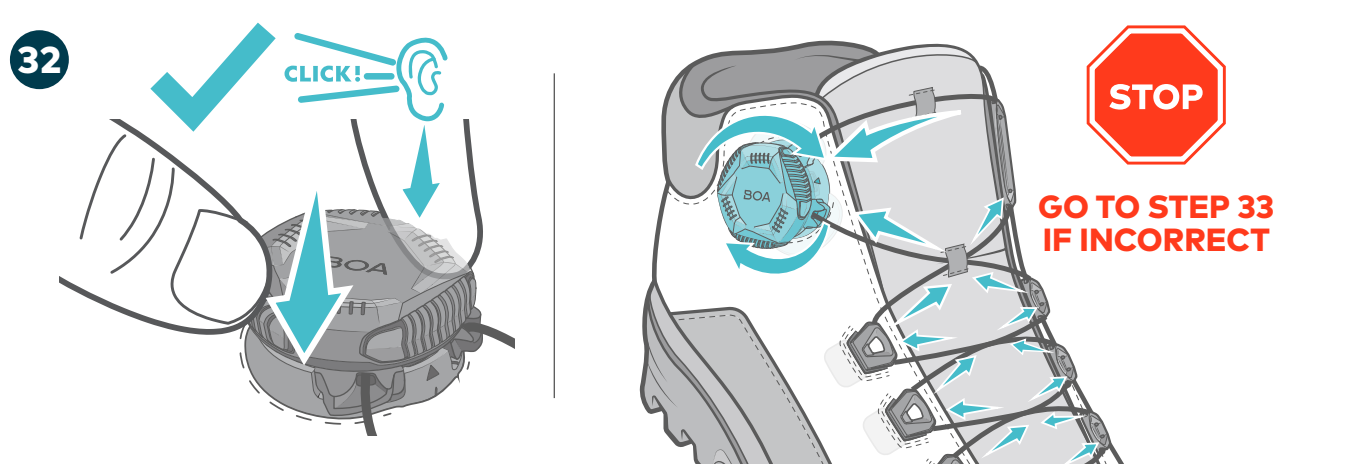
X



31



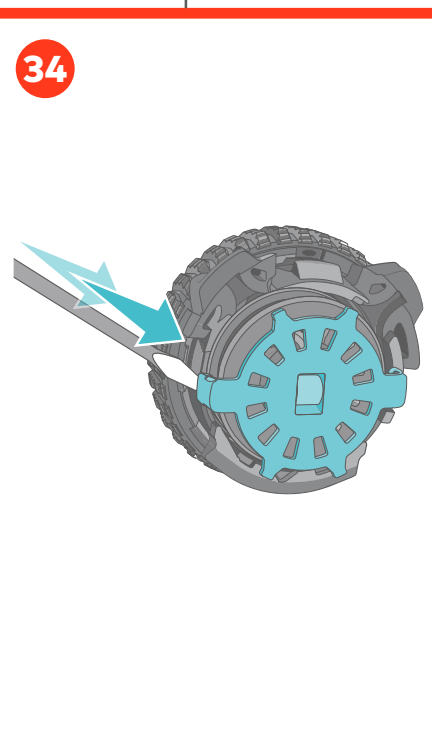
32



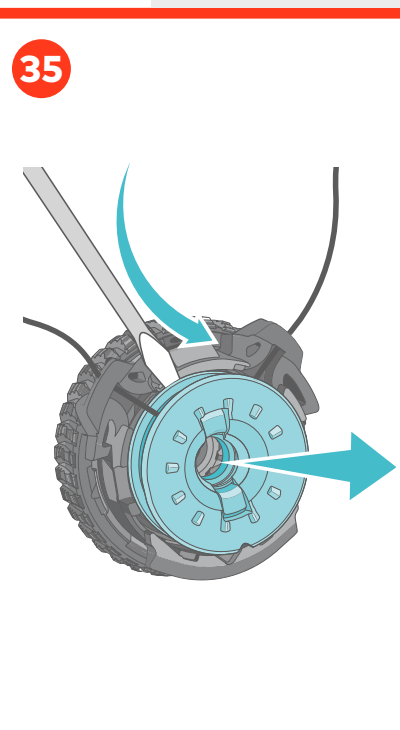
33



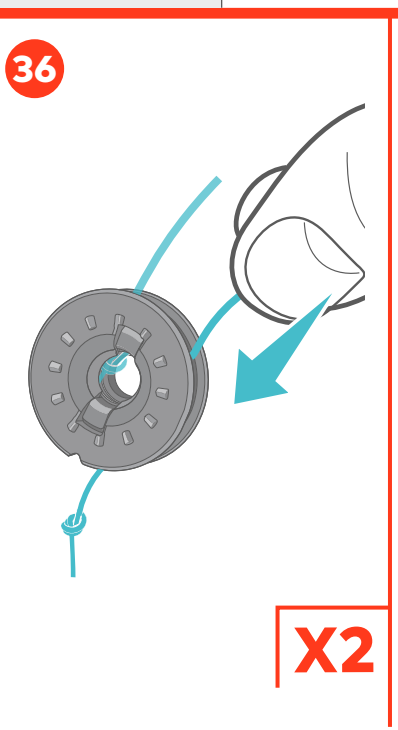
34



35

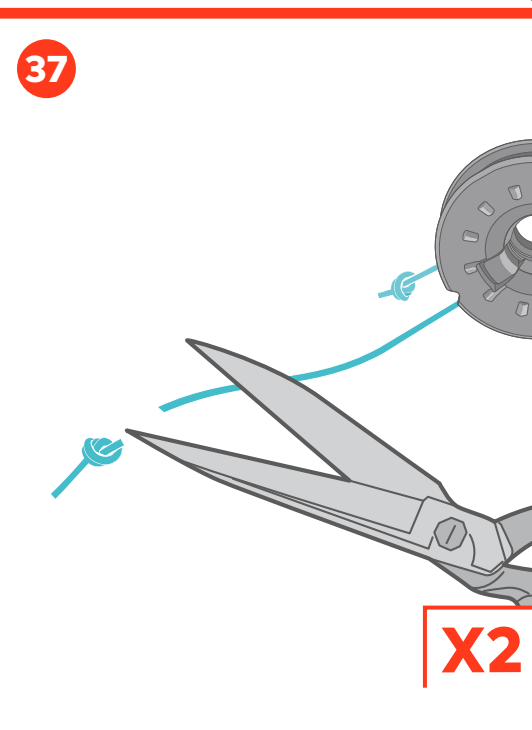


36



X2

37



X2

38

