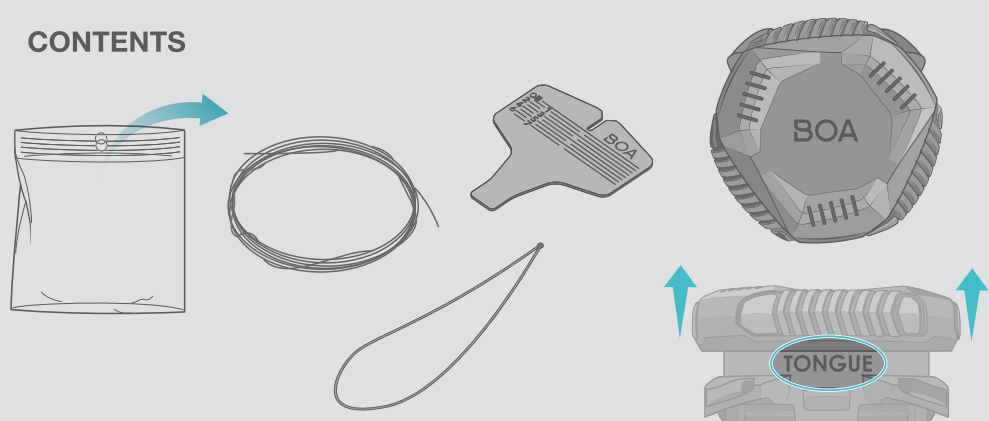


# L+1

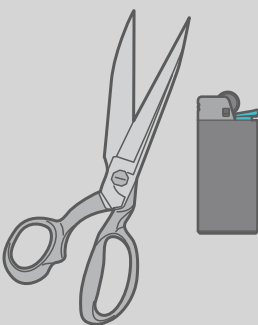
## TONGUE + TX5

### BOA

CONTENTS

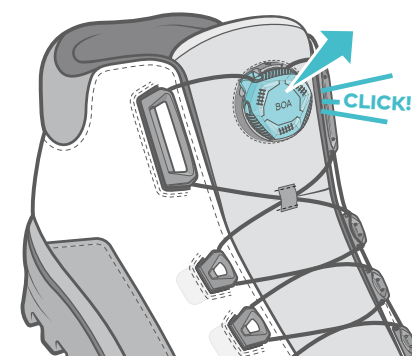


TOOLS NEEDED

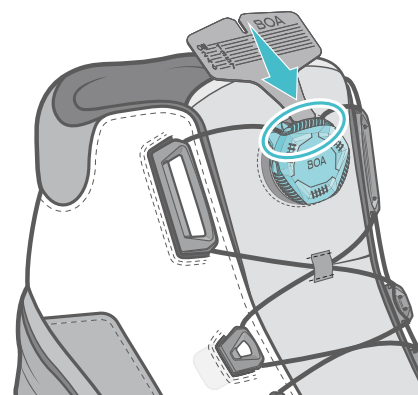


1000864

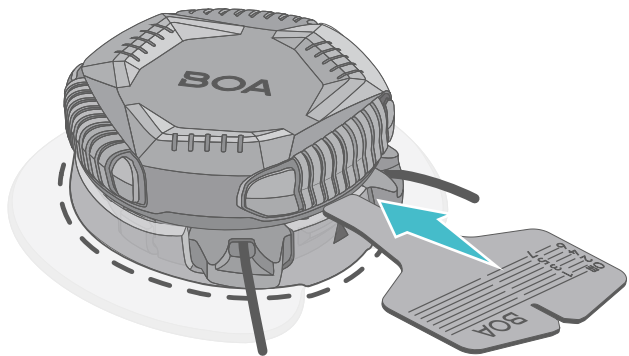
1



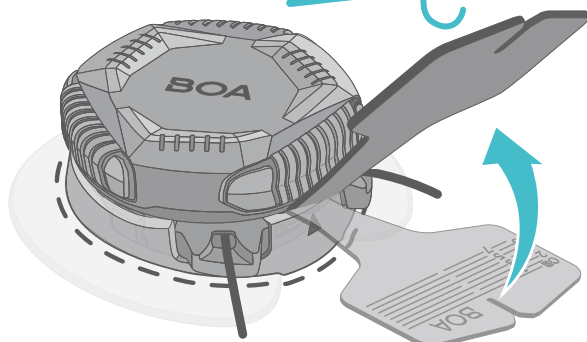
2



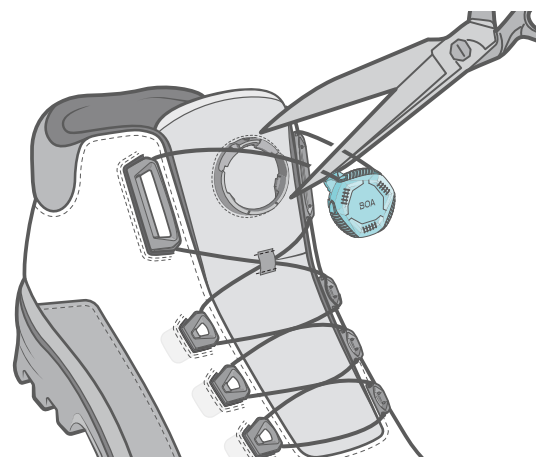
3



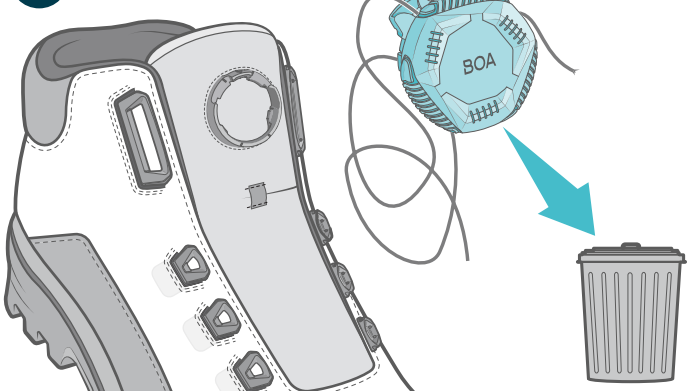
POP!



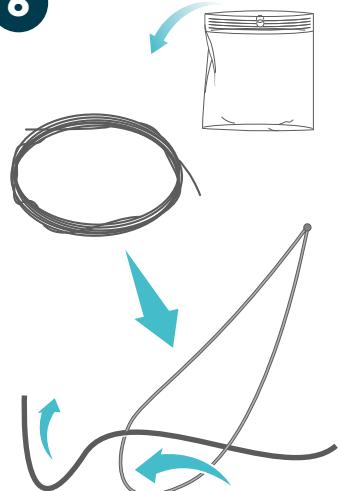
4



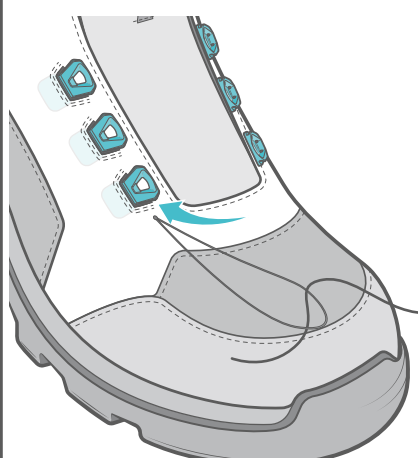
5



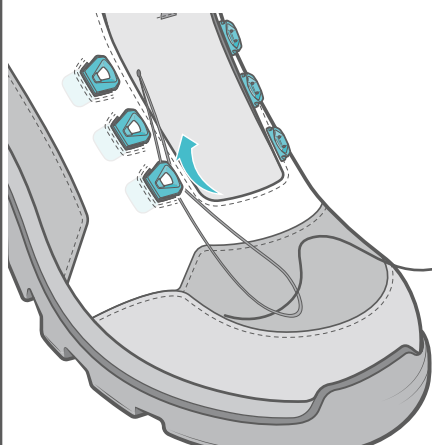
6



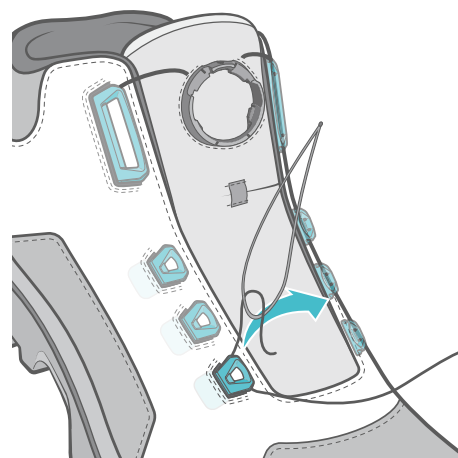
7



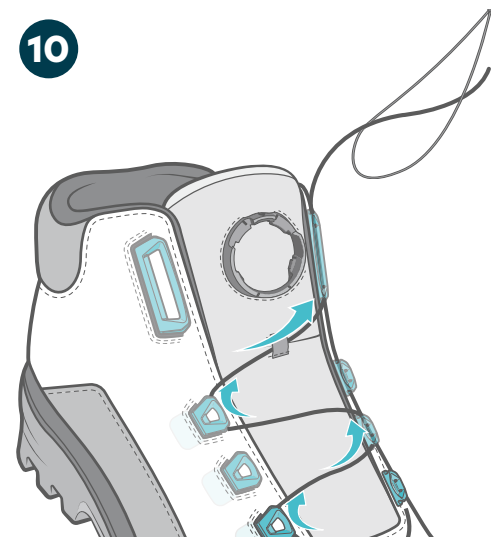
8



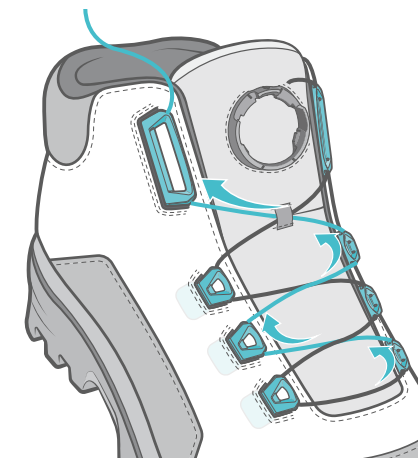
9



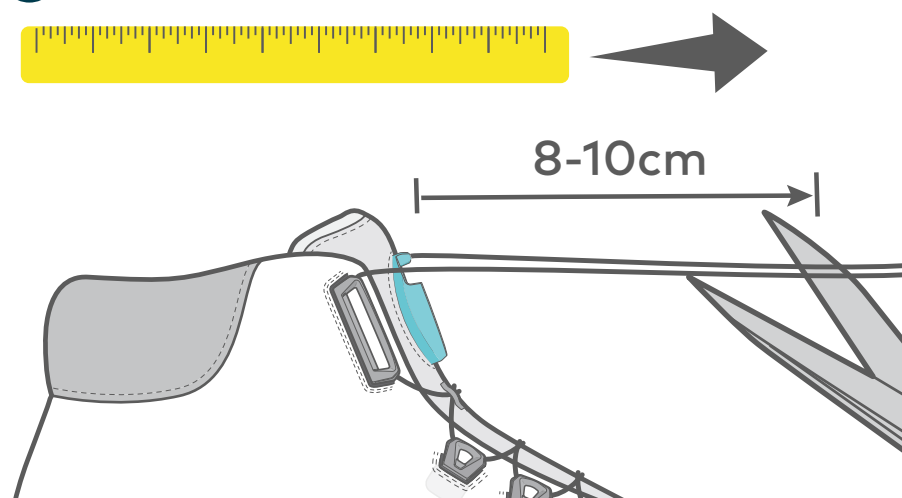
10



11



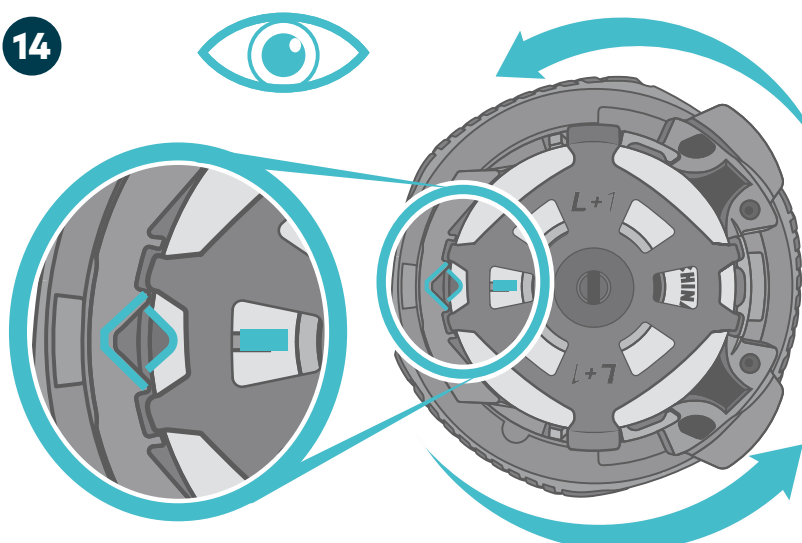
12



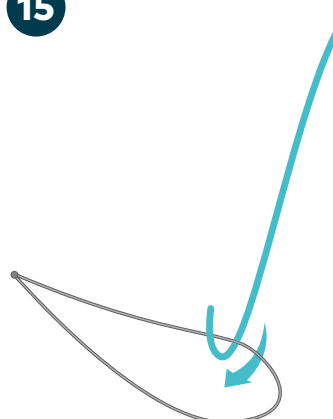
13



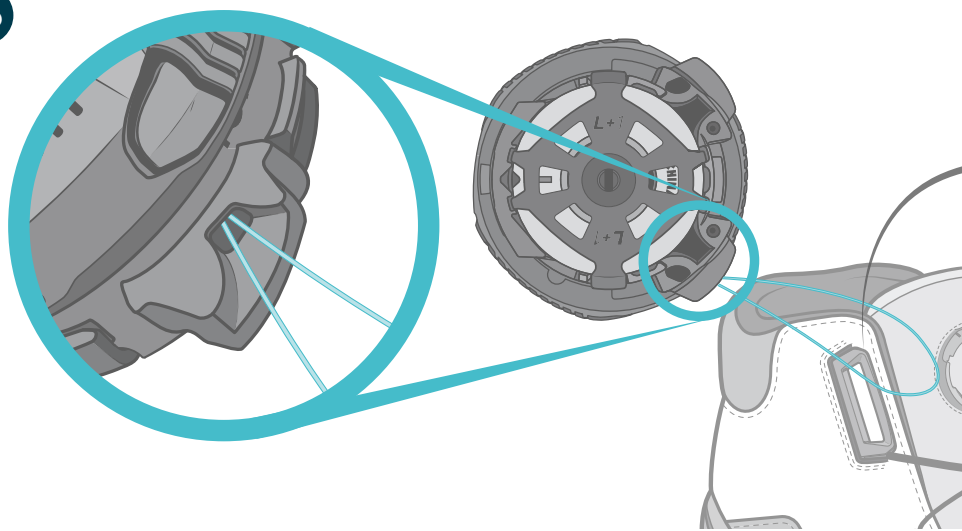
14



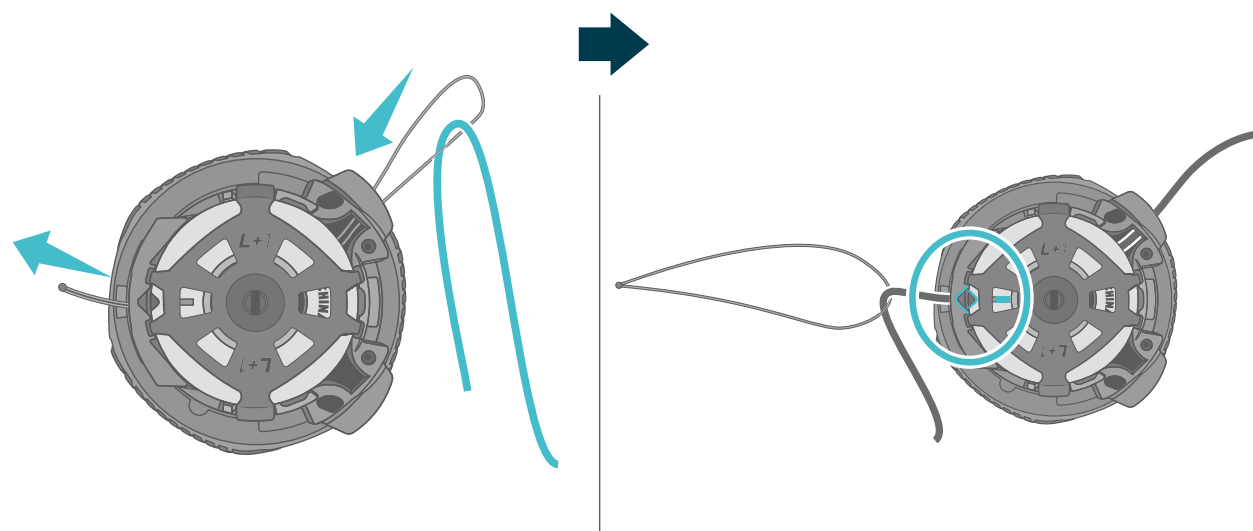
15



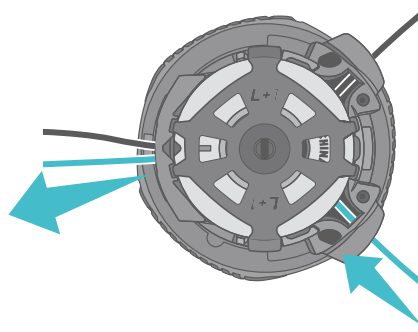
16



17



18

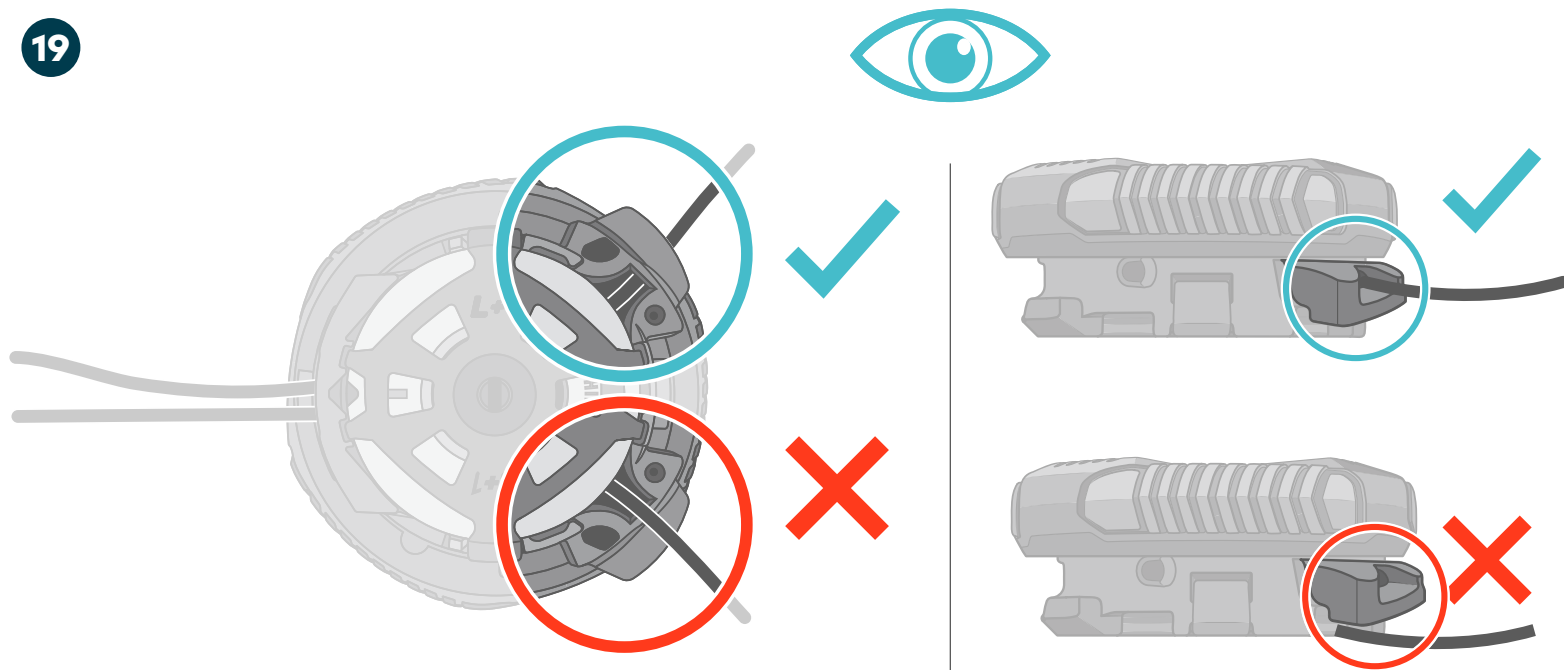


x2

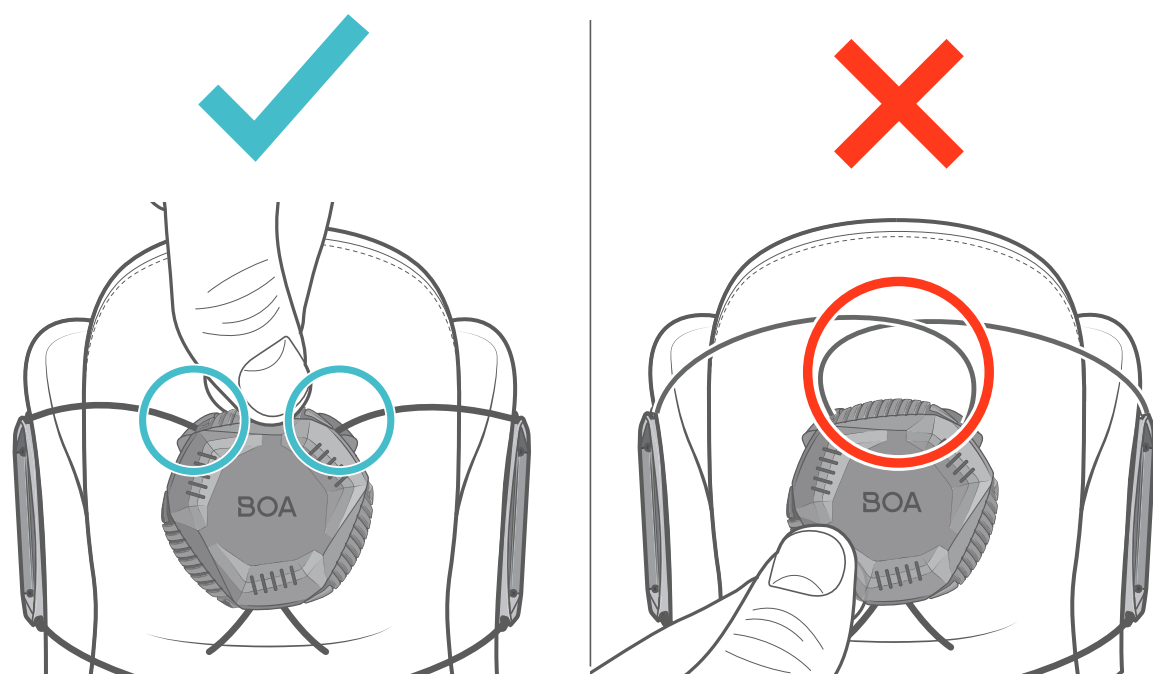
RULER CM



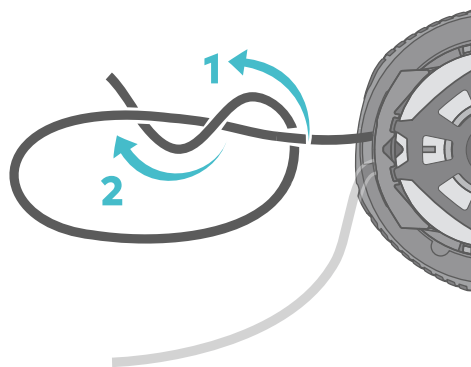
19



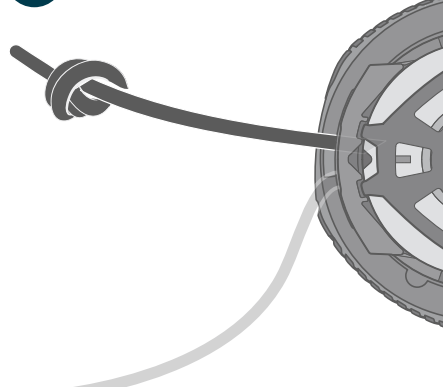
20



21



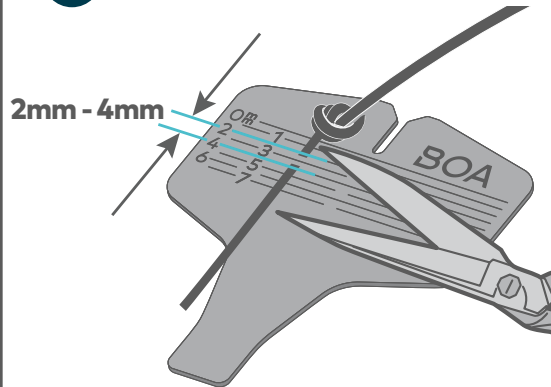
22



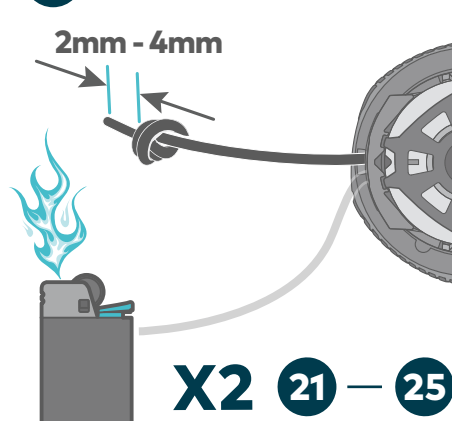
23



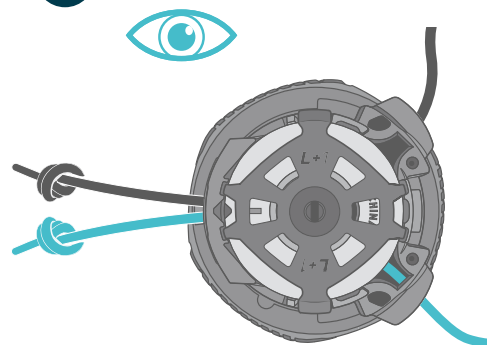
24



25

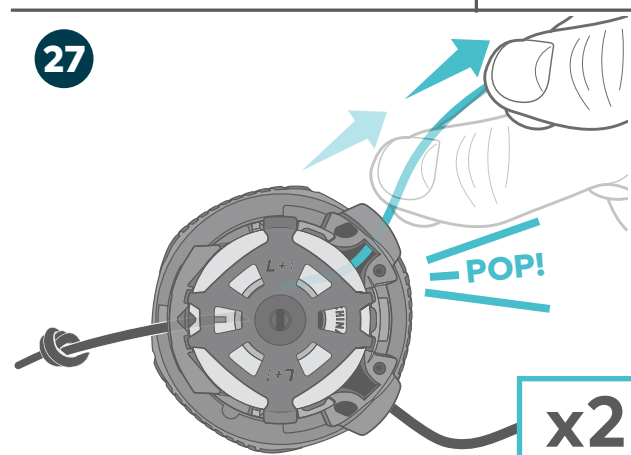


26

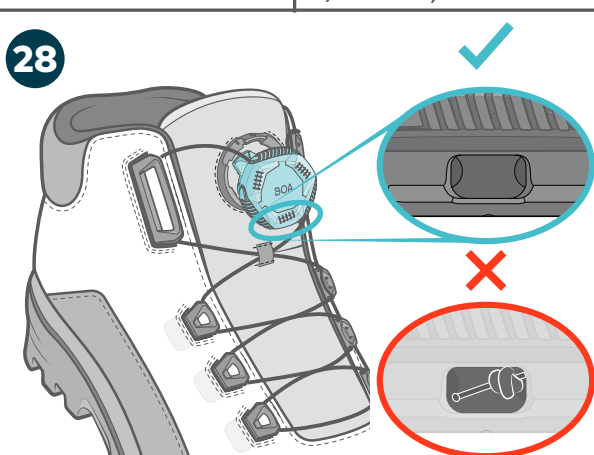


X2 21-25

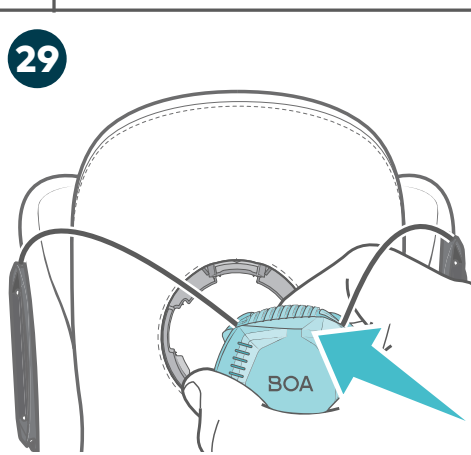
27



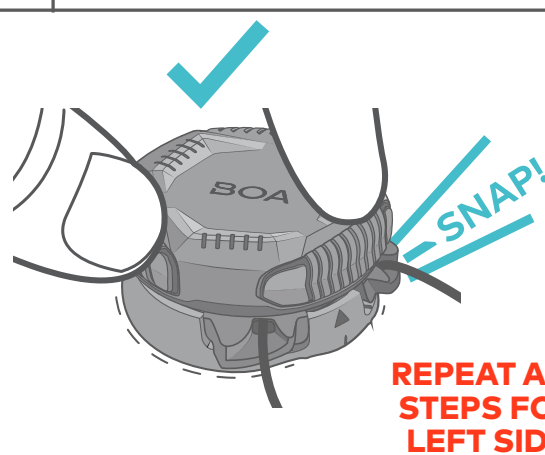
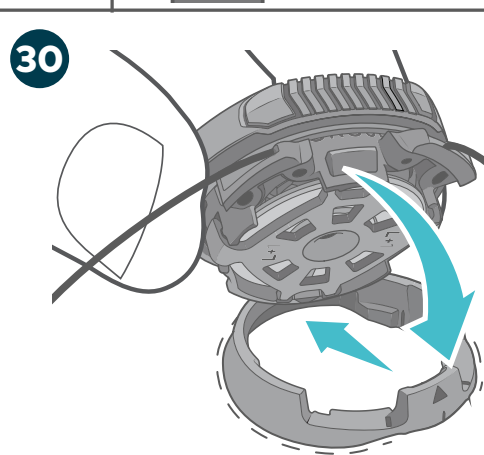
28



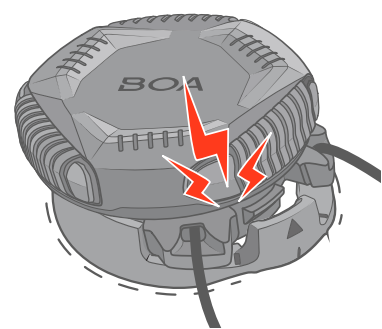
29



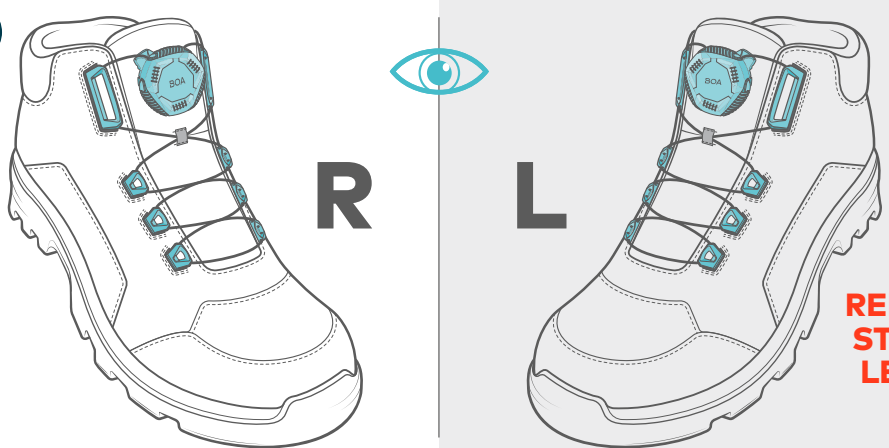
30



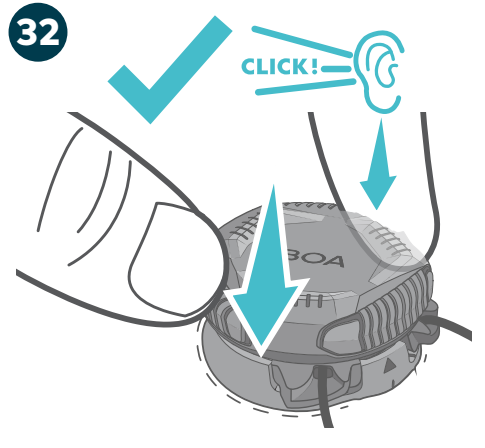
X



31



32

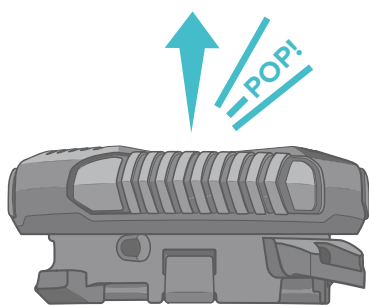


STOP  
GO TO STEP 33  
IF INCORRECT

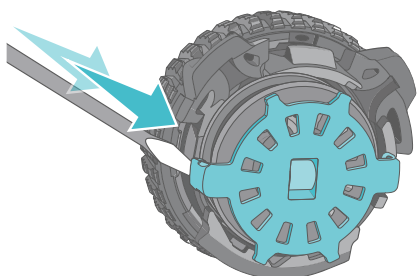


33

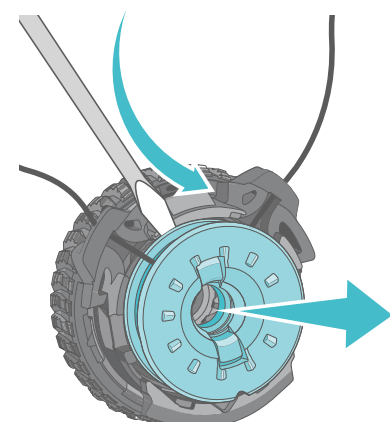
COMPLETE  
STEPS 1-3



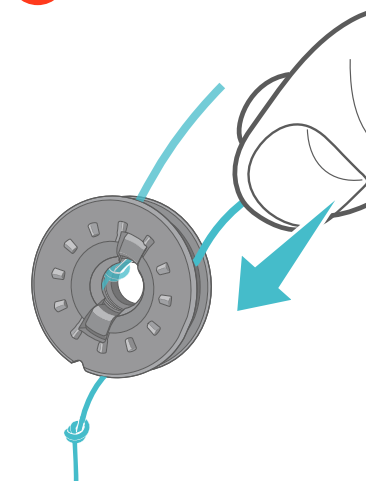
34



35

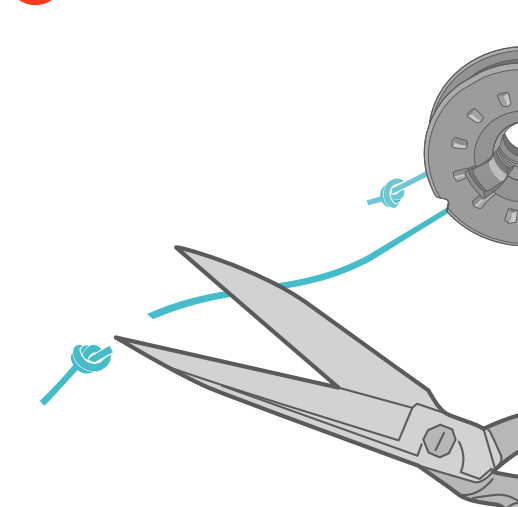


36



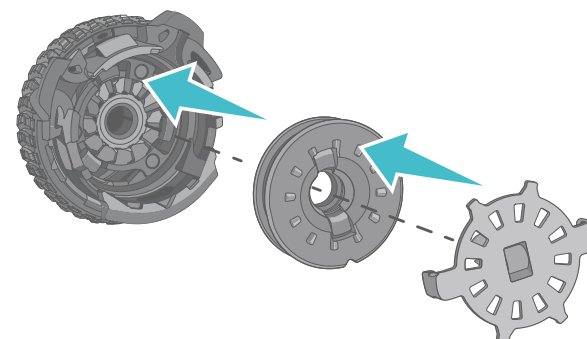
X2

37



X2

38



RETURN TO STEP 13