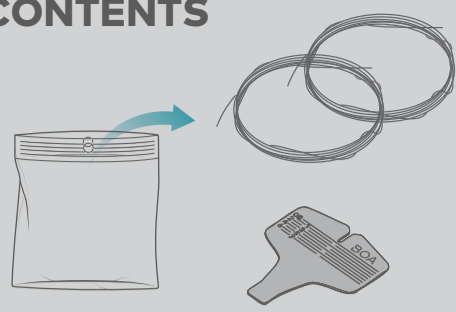


L6

SUB-SURFACE + CS1

BOA®

CONTENTS



+



OR

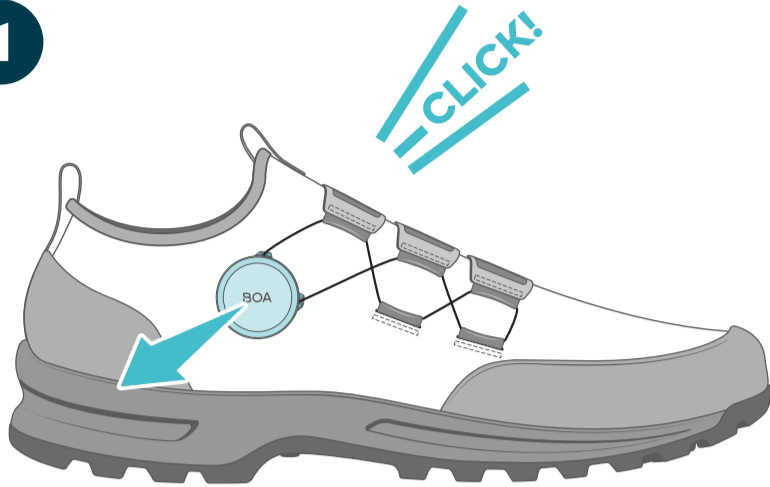


TOOLS
NEEDED

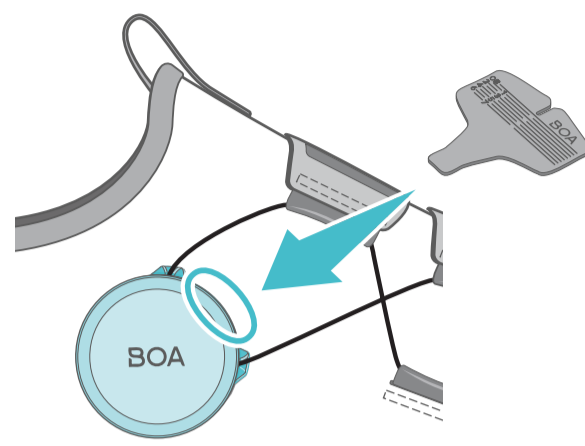


1000923

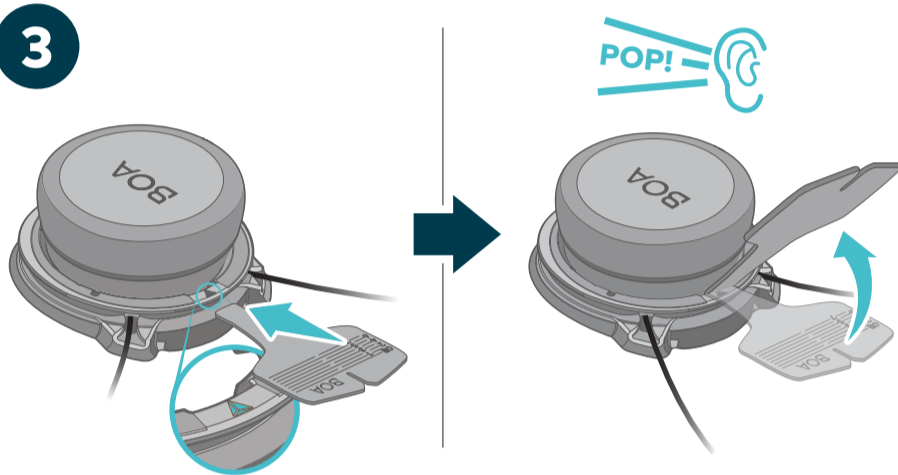
1



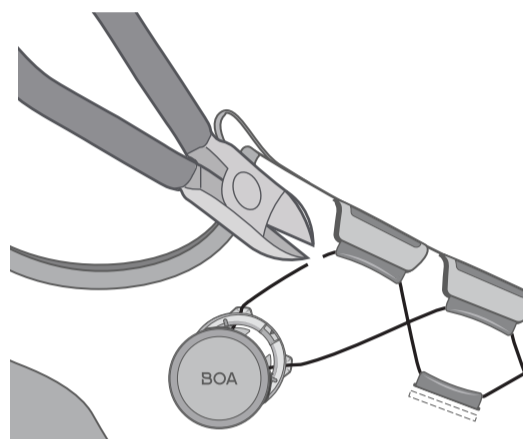
2



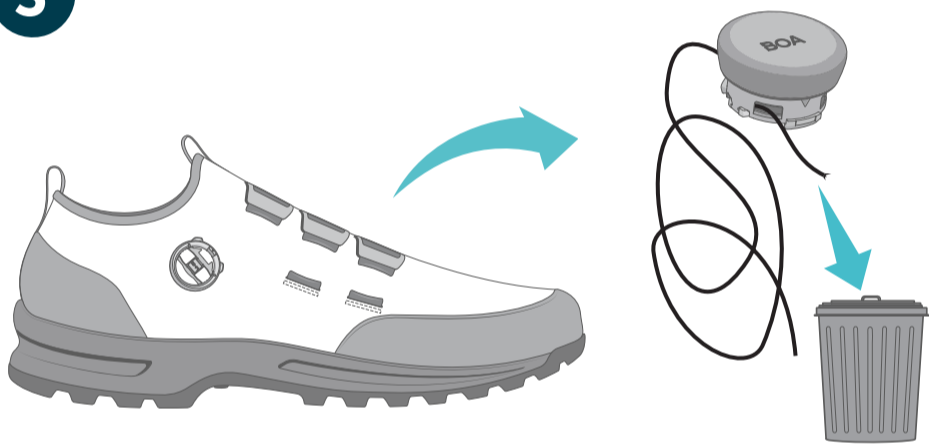
3



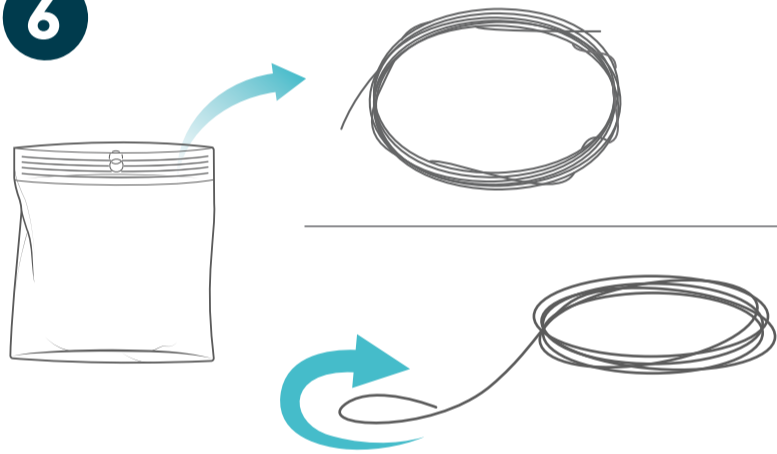
4



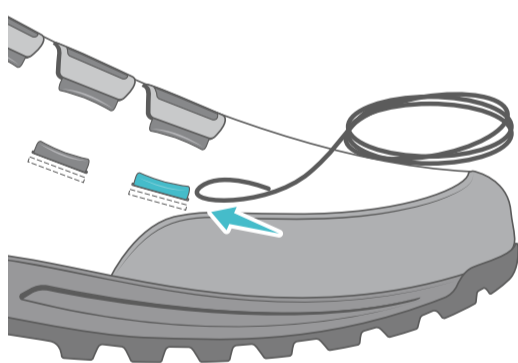
5



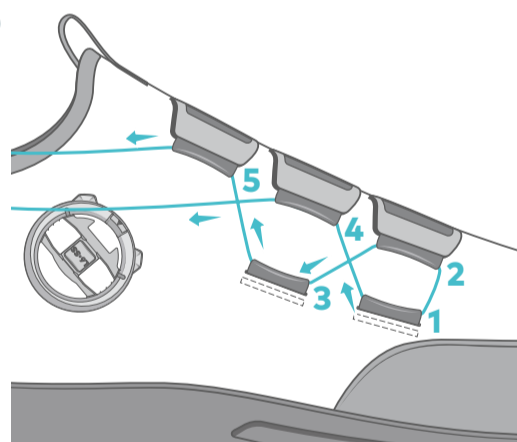
6



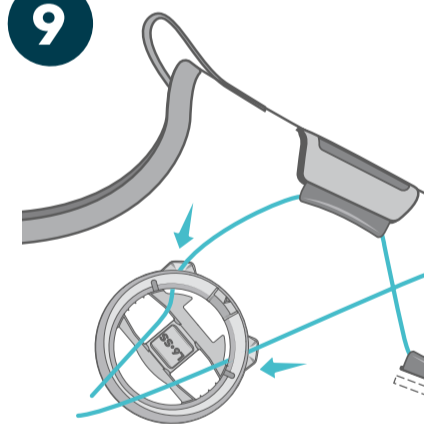
7



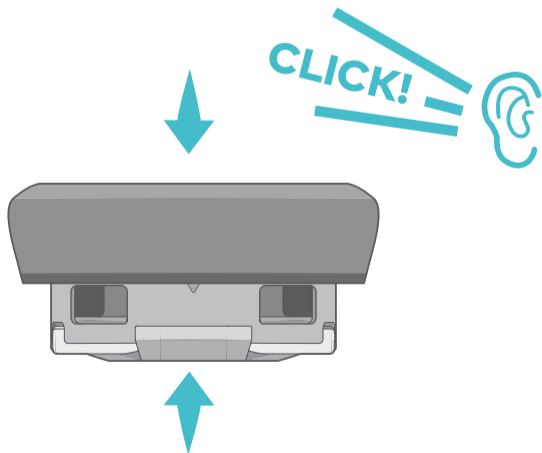
8



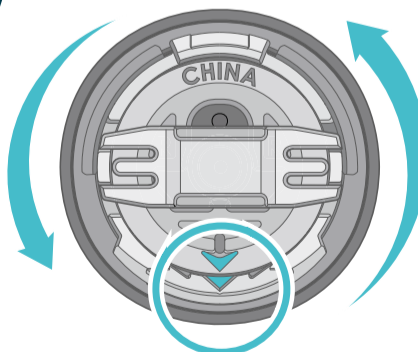
9



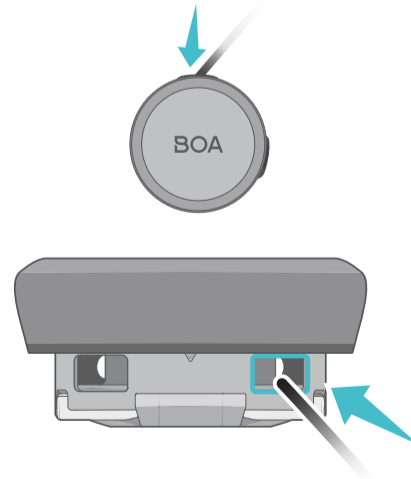
10



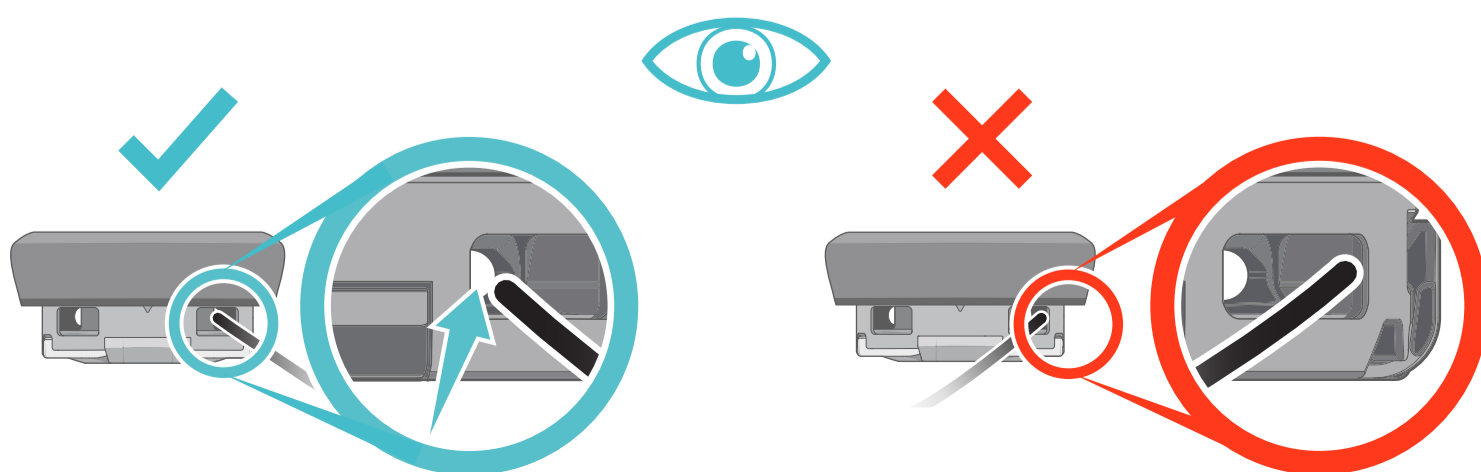
11

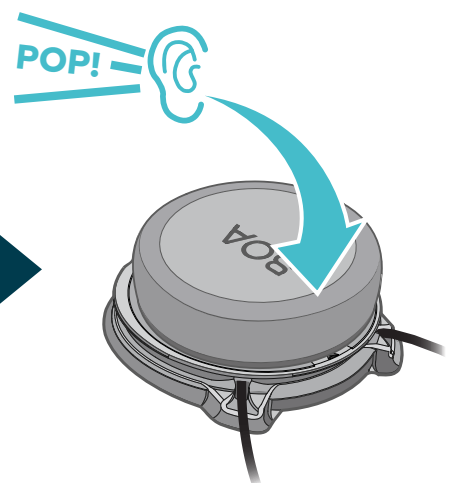
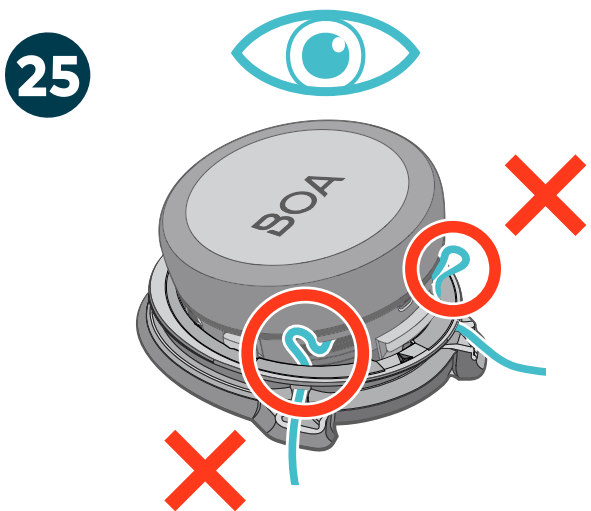
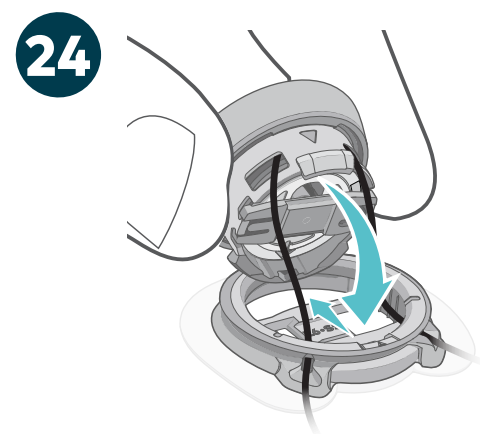
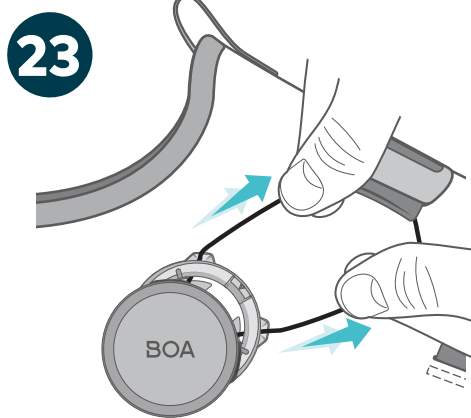
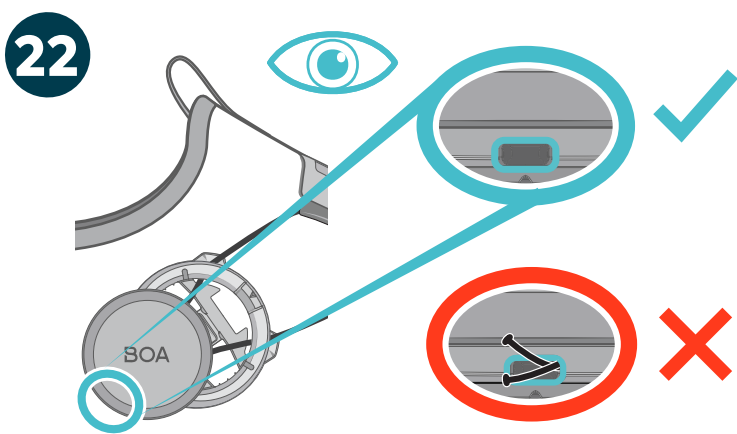
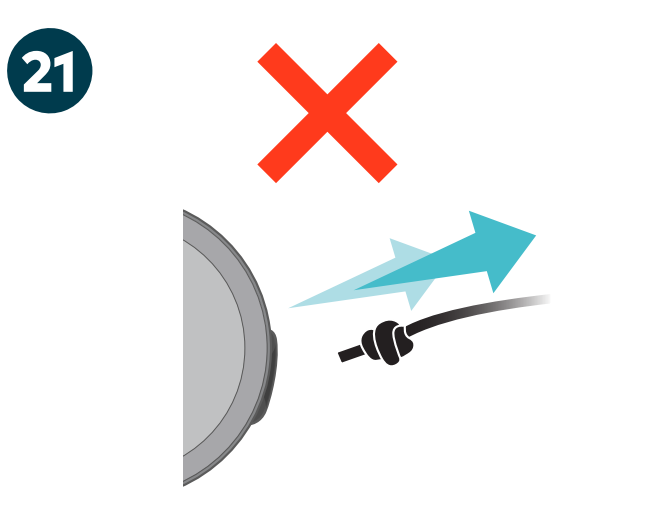
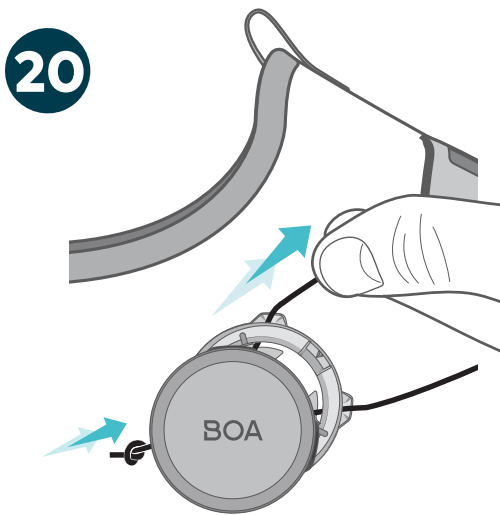
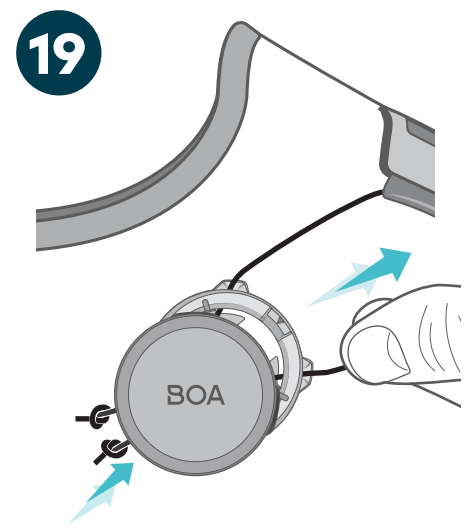
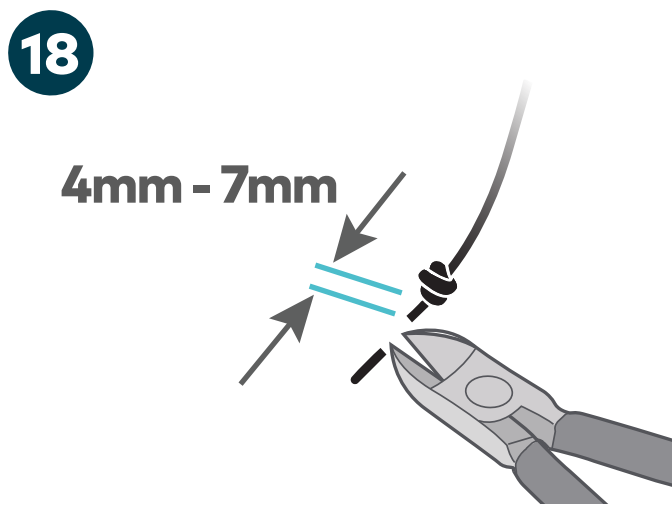
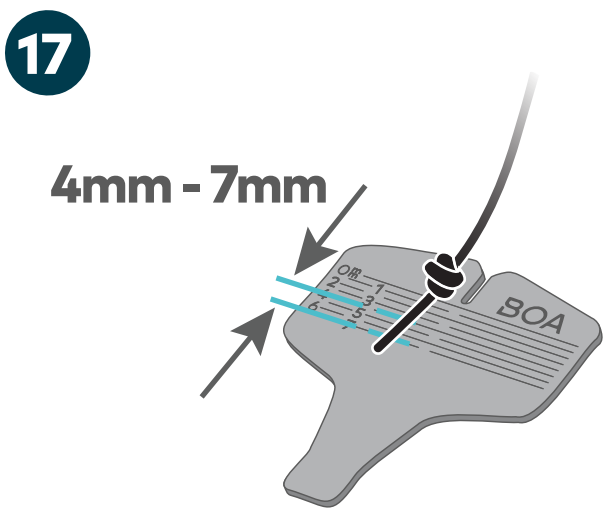
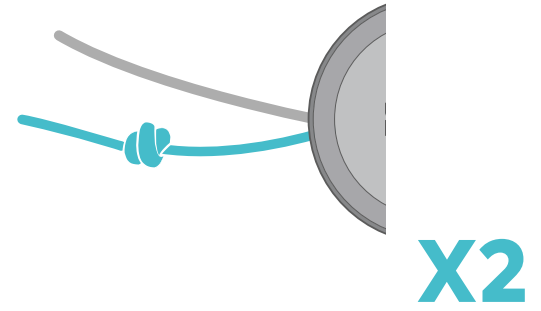
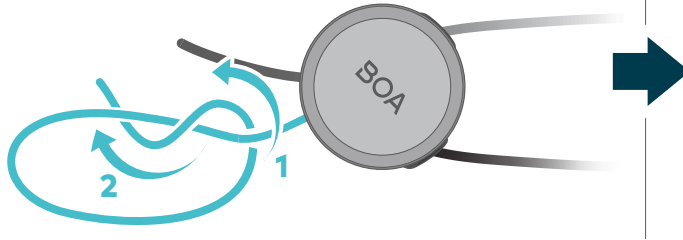
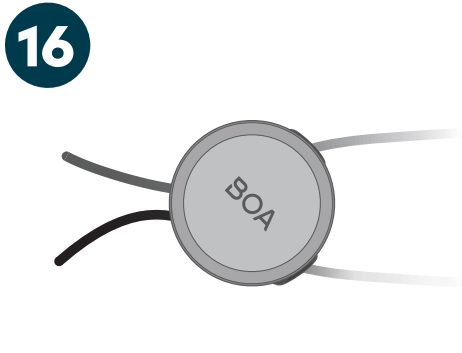
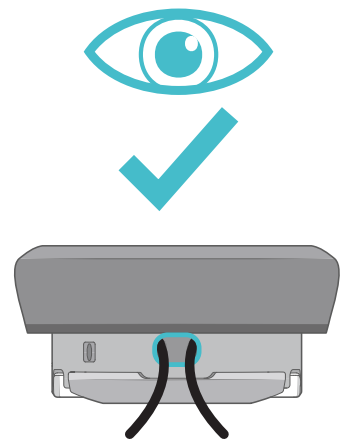
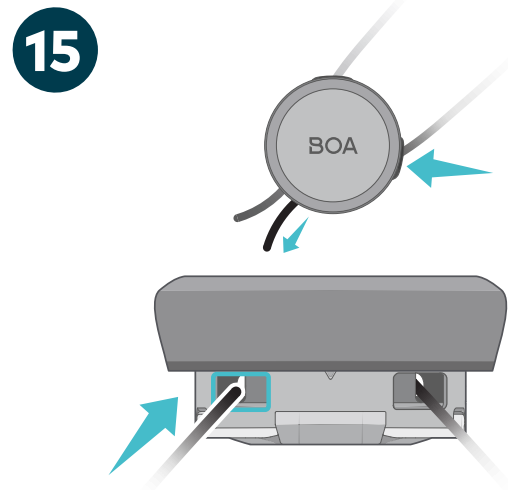
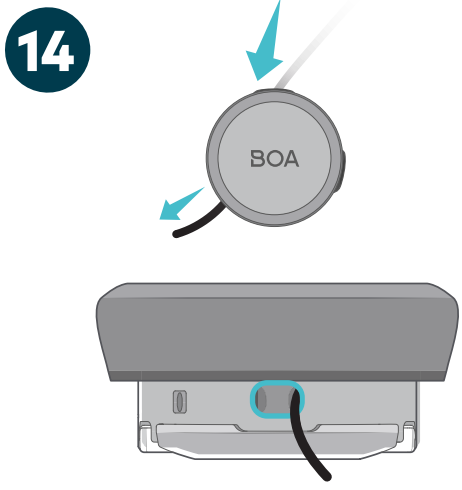


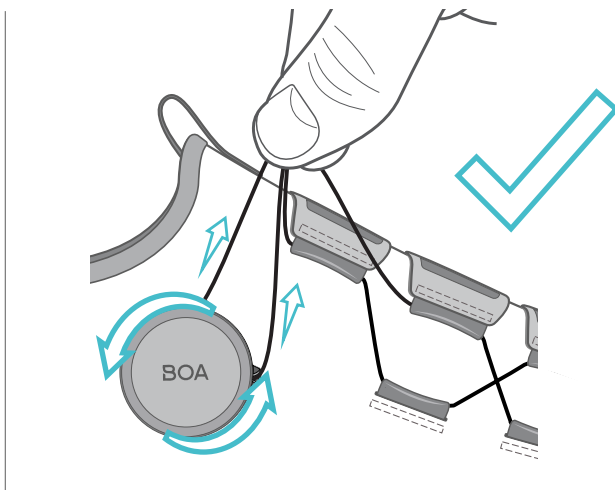
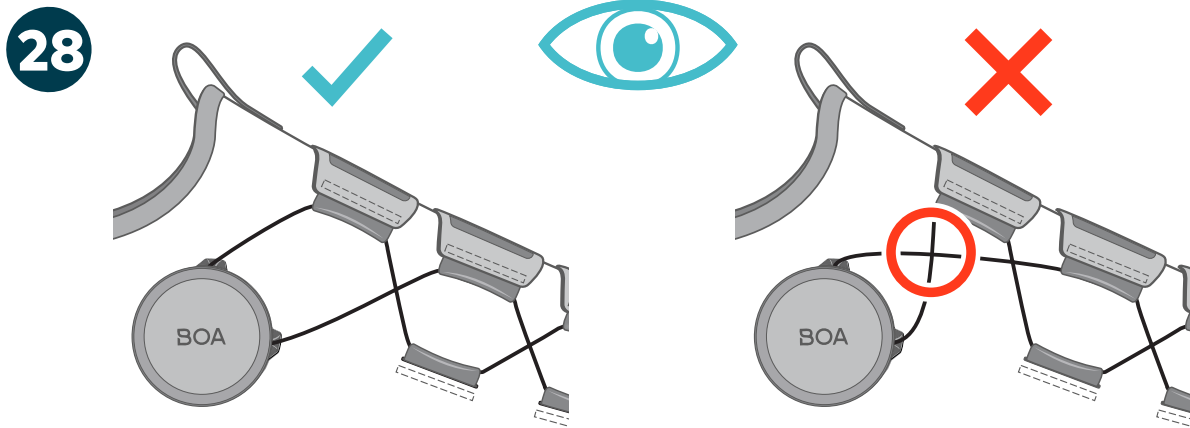
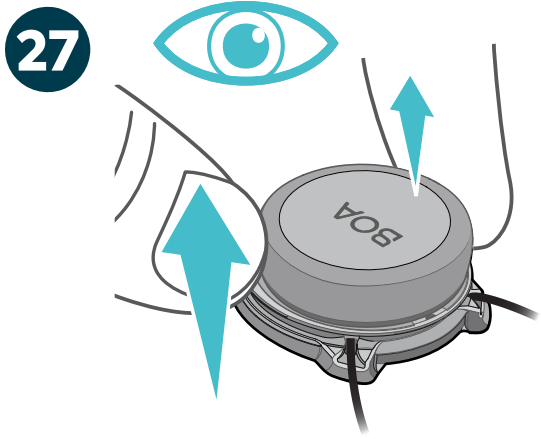
12



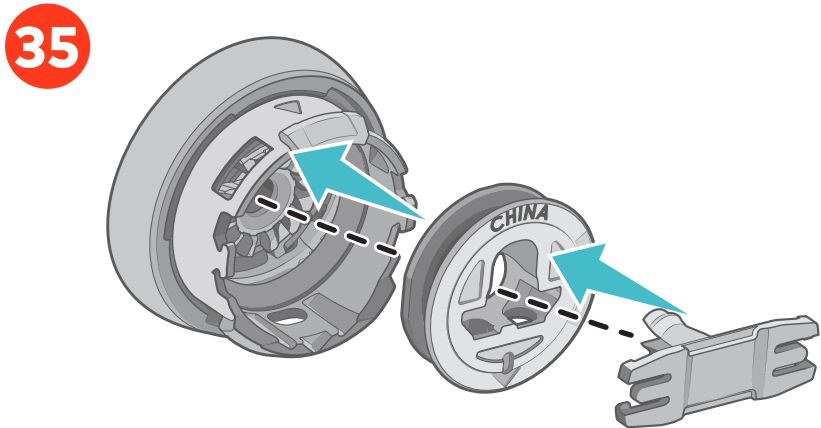
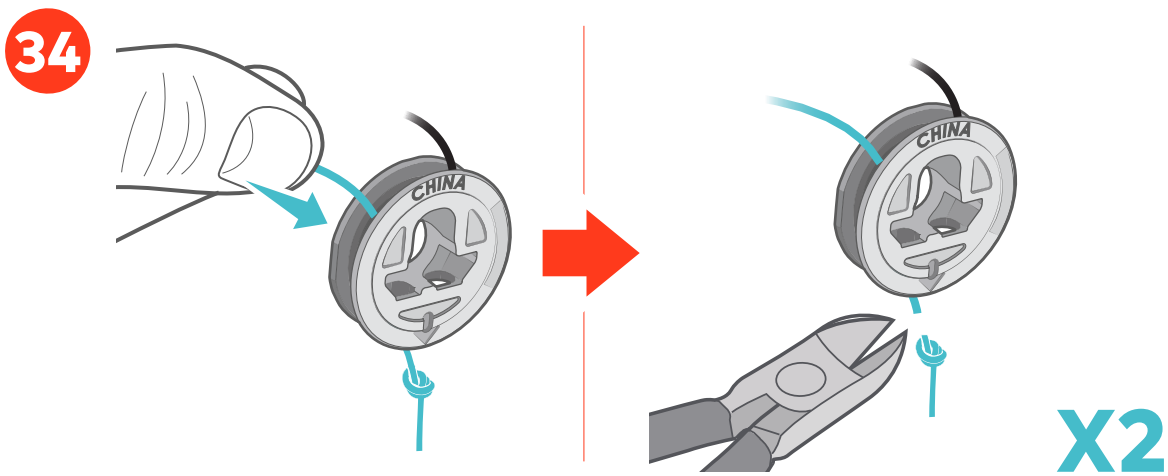
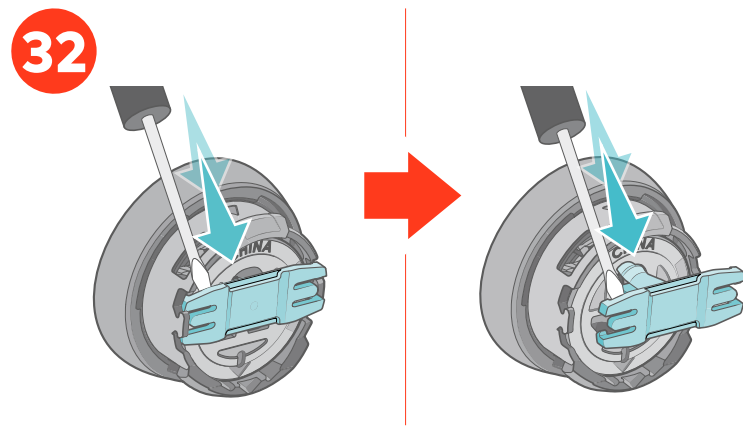
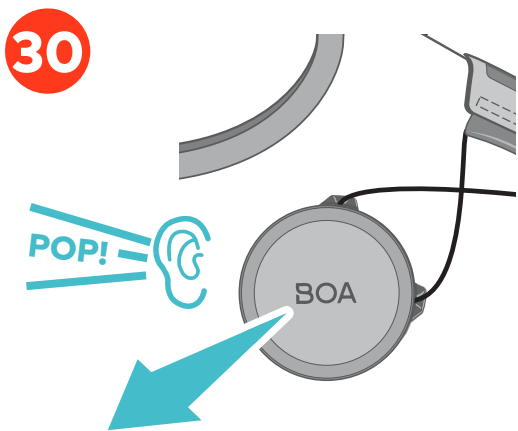
13







**GO TO STEP 30
IF INCORRECT**



**RETURN TO
STEP 6**